



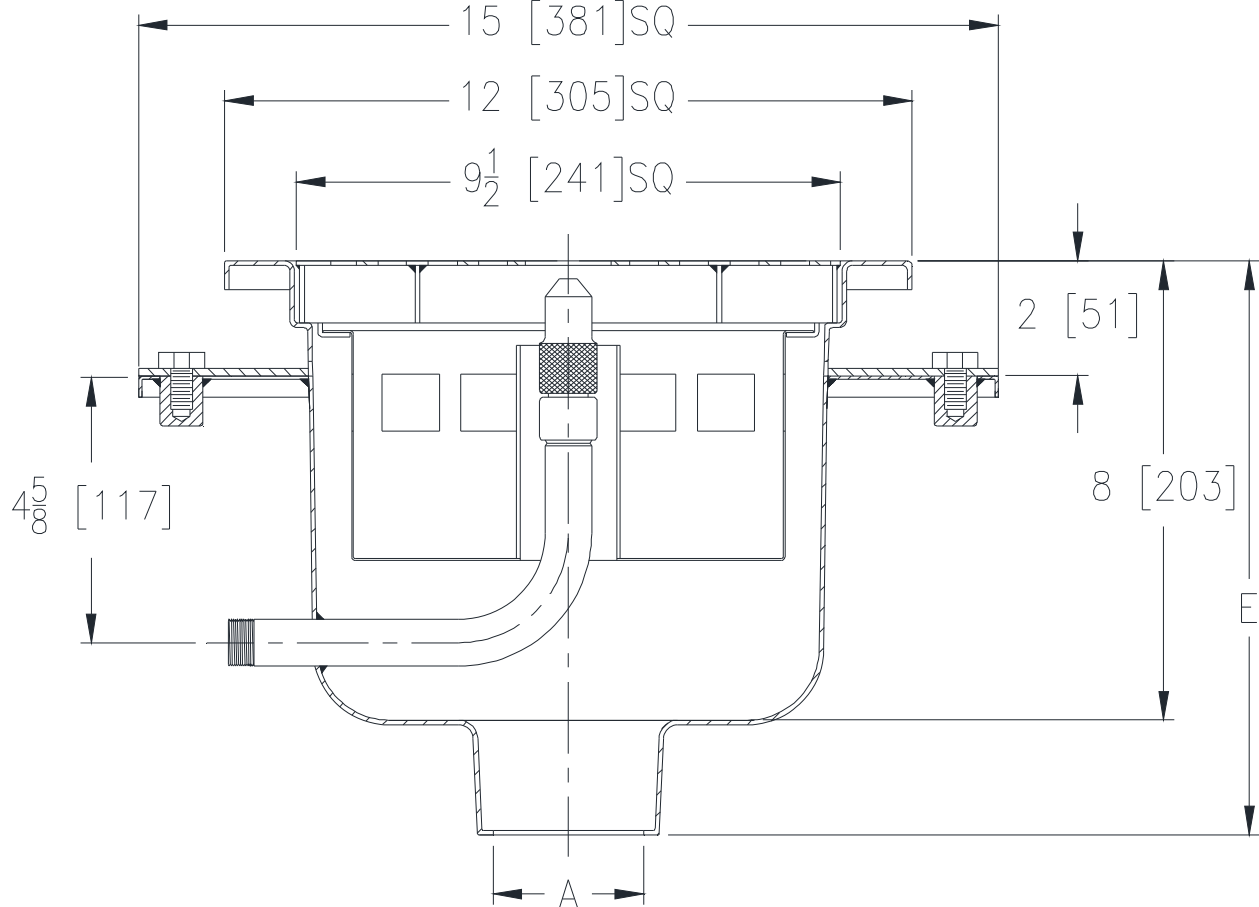
Z1982-C

12 X 12 [305 X 305] STAINLESS STEEL SANI-FLOR
CAN WASH DRAIN W/ CLAMPING COLLAR

SPECIFICATION SHEET

TAG _____

Dimensional Data (inches and [mm]) are Subject to Manufacturing Tolerances and Change Without Notice



A Pipe Size In. [mm]	Approx Wt. Lbs. [kg]	Grate Open Area Sq. In. [cm ²]
3,4 [76,102]	46 [20]	20 [129]

ENGINEERING SPECIFICATION: ZURN Z1982-C
Sani-Flor can wash drain, 12" x 12" x 8" [305mm x 305mm x 203mm] deep fabricated stainless steel body with bottom outlet and flashing clamp collar, anchor pan, medium duty stainless steel loose set grate, with standing sediment bucket. Complete with chrome plated bronze spray nozzle and water supply assembly.

OPTIONS (Check/specify appropriate options)

PIPE SIZE

(Specify size/type) **OUTLET**

'E' BODY HT. DIMENSION

3,4 [76,102]

____ NH No-Hub

10 [254]

PREFIXES

____ Z All Type 304 Stainless Steel

SUFFIXES

- ____ -WB Water Supply Control Box
- ____ -11 Vandal Proof Secured Grate
- ____ -31 Stainless Steel Mesh Liner for Bucket

* Regularly furnished unless otherwise specified.