



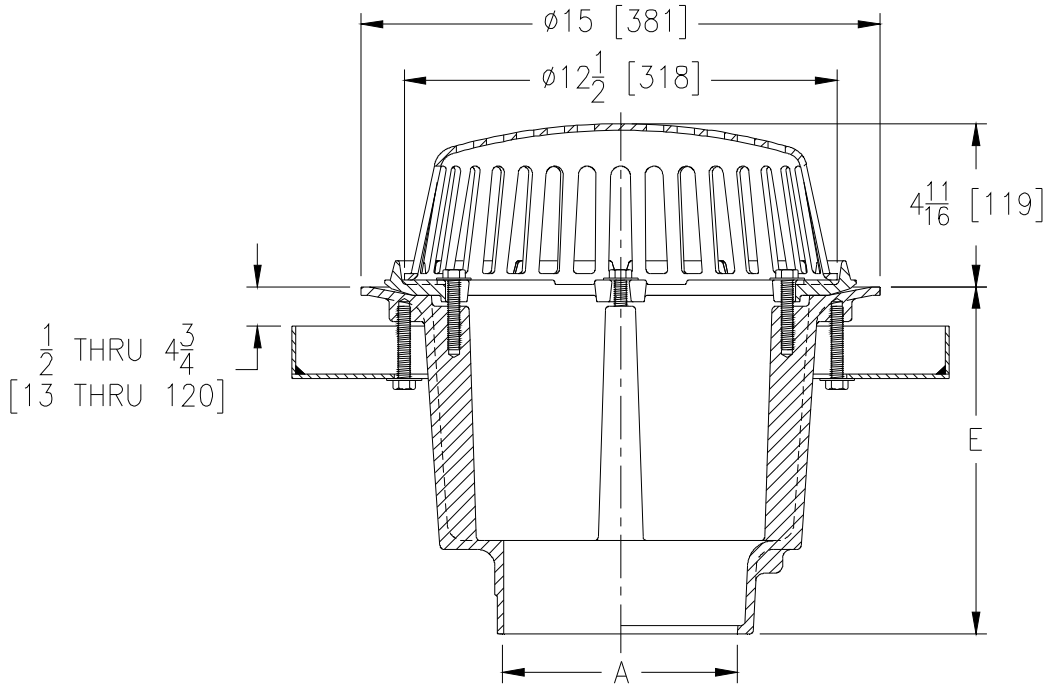
# Z104-AC

15 [381] DIAMETER DEEP SUMP ROOF DRAIN W/  
ANGULAR UNDERDECK CLAMP

SPECIFICATION SHEET

TAG \_\_\_\_\_

Dimensional Data (inches and [ mm ]) are Subject to Manufacturing Tolerances and Change Without Notice



A Pipe Size In. [mm]	Approx. Wt. Lbs. [kg]	Dome Open Area Sq. In. [cm <sup>2</sup> ]
3, 4 [76, 102]	46 [21]	103 [665]
6, 8 [152, 203]		

### ENGINEERING SPECIFICATION: ZURN Z104-AC

15" [381mm] Diameter roof drain. Dura-Coated cast iron deep sump body with combination membrane flashing clamp/gravel guard, angular underdeck clamp and low silhouette Poly-Dome.

### OPTIONS (Check/specify appropriate options)

#### PIPE SIZE

3, 4, 6, 8 [76, 102, 152, 203]  
3, 4 [76, 102]

#### (Specify size/type) OUTLET

\_\_\_ NH No-Hub  
\_\_\_ NL Neo-Loc

#### 'E' BODY HT. DIM.

10 [254]  
9-5/16 [237]

#### PREFIXES

\_\_\_ Z D.C.C.I. Body with Poly-Dome\*  
\_\_\_ ZA D.C.C.I. Body with High Aluminum Dome  
\_\_\_ ZC D.C.C.I. Body with Cast Iron Dome

#### SUFFIXES

___ -AR Acid Resistant Epoxy Coated Finish	___ -R Roof Sump Receiver
___ -AW 3/4 [19] to 4 [102] Adjustable Water Level Regulator	___ -SC Secondary Clamping Collar
___ -DX Dex-O-Tex Flange	___ -SS Stainless Steel Mesh Screen Over Dome
___ -E Static Extension 1 [25] thru 4 [102] (Specify Ht)	___ -VP Vandal-Proof Secured Top
___ -EA Adjustable Extension Assembly 2-1/8 [54] thru 3-1/5 [89]	___ -W2 2 [51] Internal Water Dam
___ -FG Flush Grate	___ -W3 3 [76] Internal Water Dam
___ -G Galvanized Cast Iron (ZC Only)	___ -W4 4 [102] Internal Water Dam
___ -HD 6-3/4 [171] High Aluminum Dome Dtrainer (148 sq. in. [955 cm <sup>2</sup> ] open area) (ZA only)	___ -84 Stainless Steel Perforated Gravel Guard
	___ -85 Stainless Steel Perforated Extension
	___ -89 2 [51] High External Water Dam

\* Regularly furnished unless otherwise specified.

Zurn Industries, LLC | Specification Drainage Operation  
1801 Pittsburgh Avenue, Erie, PA U.S.A. 16502 · Ph. 855-663-9876, Fax 814-454-7929  
In Canada | Zurn Industries Limited  
3544 Nashua Drive, Mississauga, Ontario L4V 1L2 · Ph. 905-405-8272, Fax 905-405-1292  
[www.zurn.com](http://www.zurn.com)

Rev. C  
Date: 10/02/2017  
C.N. No. 138216  
Prod. | Dwg. No. Z104-AC