



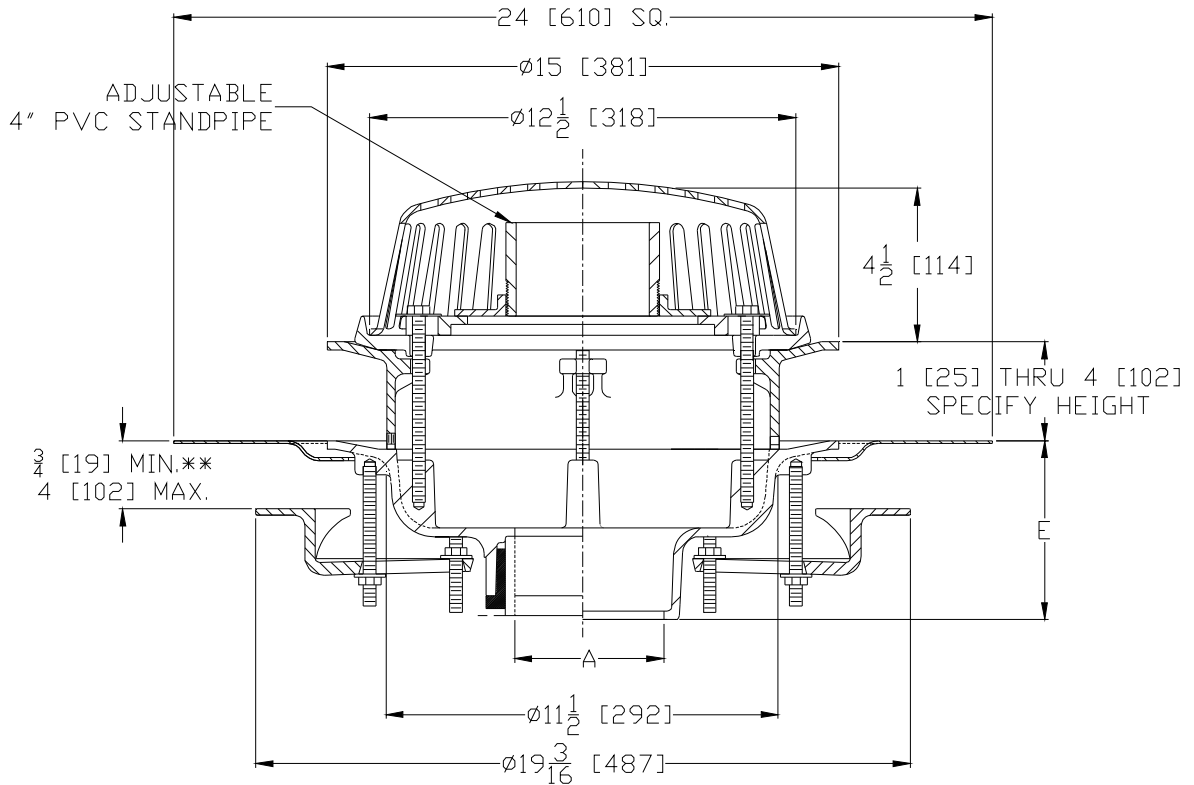
Z100-235

SPECIFICATION SHEET

15" [381] DIAMETER MAIN ROOF DRAIN LOW SILHOUETTE DOME W/ ADJUSTABLE STANDPIPE, UNDERDECK CLAMP, STATIC EXTENSION, & ROOF SUMP RECEIVER

TAG _____

Dimensional Data (inches and [mm]) are Subject to Manufacturing Tolerances and Change Without Notice



A- Pipe Size In.	Approx. Wt. Lbs. [kg]	Dome Open Area Sq. In. [cm ²]
2-3-4 [50-75-100]	48 [22]	103 [665]
5-6 [125-150]	49 [22]	
8 [200]	51 [23]	

ENGINEERING SPECIFICATION: ZURN Z100-235

15" [381] Diameter roof drain. Dura-Coated cast iron body with combination membrane flashing clamp/gravel guard with adjustable standpipe, static extension, low silhouette Poly-Dome, roof sump receiver and underdeck clamp.

OPTIONS (Check/specify appropriate options)

PIPE SIZE

- 2 thru 6, 8 [50 thru 150,200]
- 2 thru 6, 8 [50 thru 150,200]
- 2 thru 6, 8 [50 thru 150,200]
- 2,3,4 [50,75,100]

(Specify size/type) **OUTLET**

- _____ IC Inside Caulk
- _____ IP Threaded
- _____ NH No-Hub
- _____ NL Neo-Loc

E BODY HT. DIM.

- 5 1/4 [133]
- 3 3/4 [95]
- 5 1/4 [133]
- 4 5/8 [117]

PREFIXES

- _____ **Z-** D.C.C.I. Body with Poly-Dome*
- _____ **ZA-** D.C.C.I. Body with 6 3/4 [171] High Aluminum Dome
- _____ **ZC-** D.C.C.I. Body with Cast Iron Dome
- _____ **ZRB-** D.C.C.I. Body with Plain Bronze Dome

SUFFIXES

- _____ **-BS** Bronze Mesh Screen Over Dome
- _____ **-G** Galvanized Cast Iron
- _____ **-GD** Galvanized Cast Iron Dome (ZC only)
- _____ **-S** Secondary Clamo Collar
- _____ **-SS** Stainless Mesh Screen Over Dome
- _____ **-VP** Vandal Proof Secured Top

** With standard studs, longer studs available upon request.

*REGULARLY FURNISHED UNLESS OTHERWISE SPECIFIED

REV. DATE: 03/30/11 C.N. NO. 121099

DWG. NO. 305213 PRODUCT NO. Z100-235