



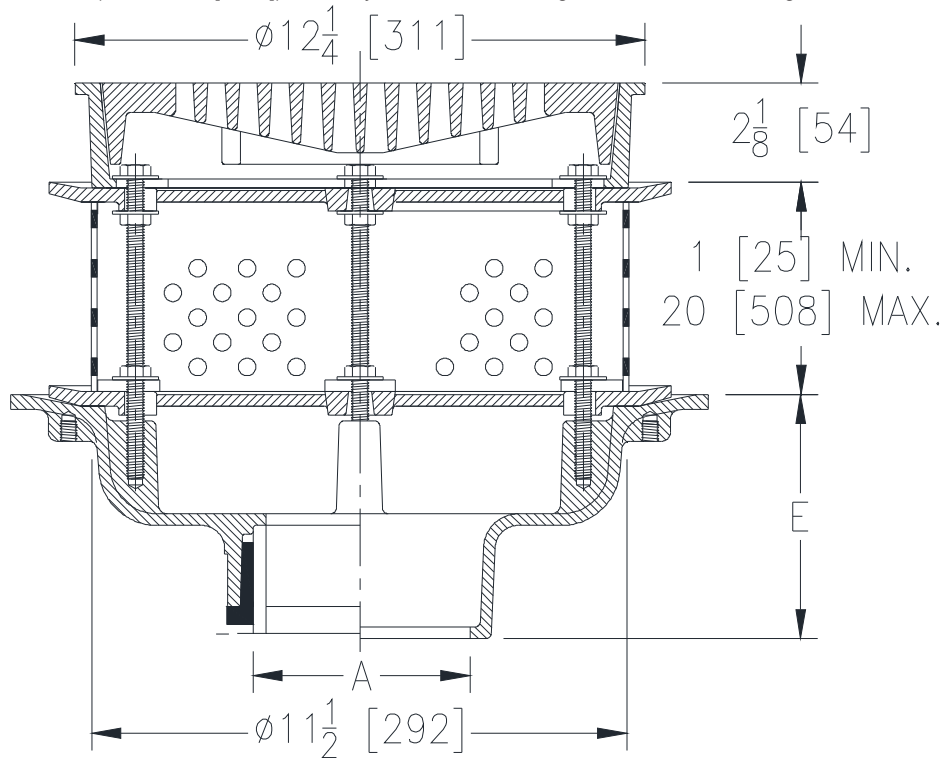
Z505-87

12 [305] HEAVY DUTY DRAIN WITH PERFORATED EXTENSION AND SECONDARY CLAMPING COLLAR

SPECIFICATION SHEET

TAG _____

Dimensional Data (inches and [mm]) are Subject to Manufacturing Tolerances and Change Without Notice



ENGINEERING SPECIFICATION: Z505-87

12" [305mm] Diameter top drain. Dura-Coated cast iron body with bottom outlet, seepage pan and combination membrane flashing clamp and frame for heavy duty deep flange slotted grate with perforated extension and secondary clamping collar.

A- Pipe Size In. [mm]	Approx. Wt. Lbs. [kg]	Grate Open Area Sq. In. [cm ²]
2, 3, 4, 5, 6 [51, 76, 102, 127, 152]	38 [17]	30 [194]
8, 10 [203, 254]	40 [18]	

OPTIONS (Check/specify appropriate options)

PIPE SIZE

2,3,4,5,6,8,10 [51,76,102,127,152,203,254]
 2, 3, 4, 6 [51, 76, 102, 152]
 2,3,4,5,6,8,10 [51,76,102,127,152,203,254]
 2,3,4,5,6,8,10 [51,76,102,127,152,203,254]
 2, 3, 4 [51, 76, 102]

(Specify size/type)

___ IC Inside Caulk
 ___ IG Inside Gasket
 ___ IP Threaded
 ___ NH No-Hub
 ___ NL Neo-Loc

OUTLET

'E' BODY HT. DIM.

5-1/4 [133]
 5-1/4 [133]
 3-3/4 [95]
 5-1/4 [133]
 4-5/8 [117]

PREFIXES

___ Z D.C.C.I. Body and Top*
 ___ ZB D.C.C.I. Body with Polished Bronze Top (Add 3/16 [5] to 2 [51] Dim. and 3/4 [20] to 12-1/4 [311] Dim.)
 ___ ZN D.C.C.I. Body with Polished Nickel Bronze Top (Add 3/16 [5] to 2 [51] Dim. and 3/4 [20] to 12-1/4 [311] Dim.)

SUFFIXES

___ -AR Acid Resisting Epoxy Coated Cast Iron
 ___ -D Dome Grate
 ___ -DG Duresist Grate
 ___ -F Extension Frame (Specify Total Height Req'd.)
 ___ -G Galvanized Cast Iron
 ___ -HP Heel-Proof Grate
 ___ -HT Square Hinged Grate
 ___ -P Trap Primer Connection
 ___ -S Secondary Strainer
 ___ -SA Stabilizer Assembly (See Z1036)

___ -SC Solid Cover
 ___ -SS Stainless Mesh Liner for Bucket
 ___ -T Square Top
 ___ -TC Neo-Loc Test Cap Gasket (2 [51]-4 [102] NL Bottom Outlet Only)
 ___ -TS Top Secured with Slotted Screws
 ___ -V Backwater Valve (See Z1099)
 ___ -VP Vandal-Proof Secured Top
 ___ -Y Sediment Bucket
 ___ -90 90° Threaded Side Outlet Body (2 [51] - 6 [152] Only)

* Regularly furnished unless otherwise specified.