

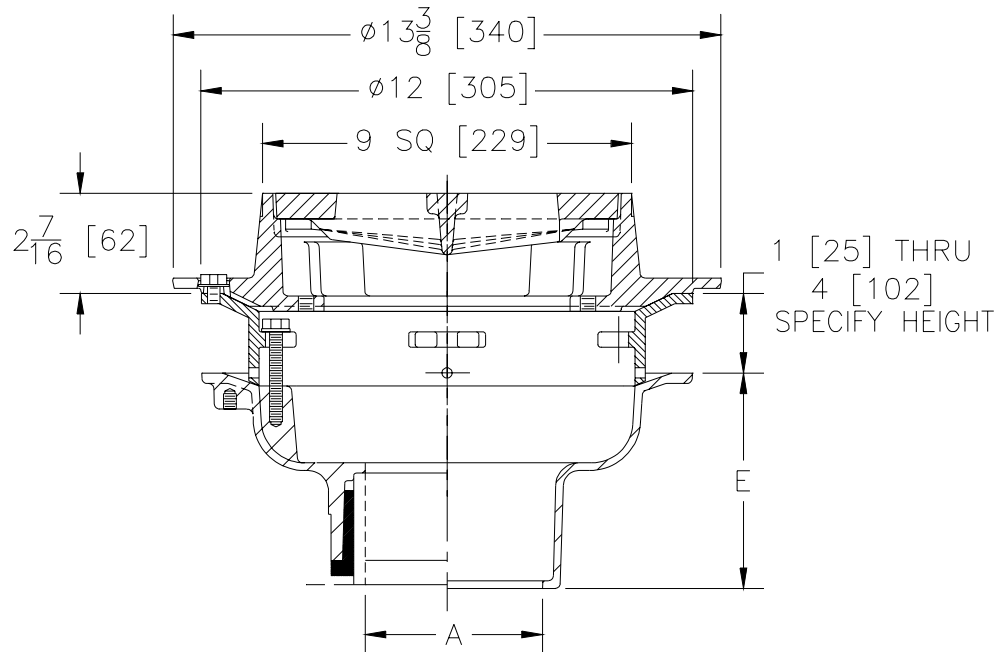


Z-609-91
9 [229] SQUARE HEAVY DUTY DRAIN

SPECIFICATION SHEET

TAG _____

Dimensional Data (inches and [mm]) are Subject to Manufacturing Tolerances and Change Without Notice



A- Pipe Size In.	Approx. Wt. Lbs. [kg]	Grate Open Area Sq. In. [cm ²]
2-3-4-6 [50-75-100-150]	30 [14]	14 [90]

ENGINEERING SPECIFICATION: ZURN Z-609-91 9 [229] Square top drain, Dura-Coated cast iron body with bottom outlet, static extension, combination membrane flashing clamp and frame, and heavy duty cast iron anti-tilt slotted grate.

OPTIONS (Check/specify appropriate options)

PIPE SIZE

- 2,3,4,6 [50,75,100,150]
- 2,3,4,6 [50,75,100,150]
- 2,3,4,6 [50,75,100,150]
- 2,3,4 [50,75,100]

(Specify size/type) **OUTLET**

- _____ IC Inside Caulk
- _____ IP Threaded
- _____ NH No-Hub
- _____ NL Neo-Loc

E BODY HT. DIM.

- 5 1/4 [133]
- 3 3/4 [95]
- 5 1/4 [133]
- 4 5/8 [117]

PREFIXES

- _____ Z- D.C.C.I. Body and Grate*
- _____ ZB- D.C.C.I. Body w/Polished Bronze Top (Add 3/16 [5] to 2 7/16 [62] Dim.)
- _____ ZN- D.C.C.I. Body w/Polished Nickel Bronze Top (Add 3/16 [5] to 2 7/16 [62] Dim.)

SUFFIXES

- | | |
|--|--|
| _____ -AR Acid Resistant Epoxy Coated Finish | _____ -HL Hinged Locking Grate |
| _____ -C Underdeck Clamp | _____ -R Roof Sump Receiver |
| _____ -DG Duresist Grate | _____ -SC Secondary Clamping Collar |
| _____ -E Static Extension 1 [25] thru 4 [102] (Specify Height) | _____ -V Backwater Valve (See Z-1099) |
| _____ -G Galvanized Cast Iron | _____ -VP Vandal Proof Secured Top |
| _____ -GG Galvanized Grate | _____ -XJ Vertical Expansion Joint (See Z-190) |
| _____ -H Hinged Grate | _____ -90 90° Threaded Side Outlet Body |

REV.	DATE: 5/15/02	C.N. NO. 89028
DWG. NO. P-14895 PRODUCT NO. Z-609-91		

*REGULARLY FURNISHED UNLESS OTHERWISE SPECIFIED