



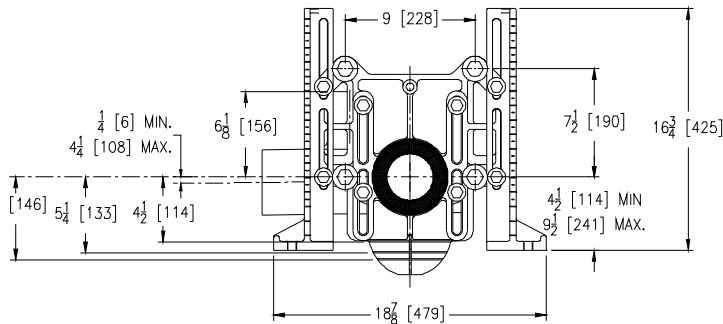
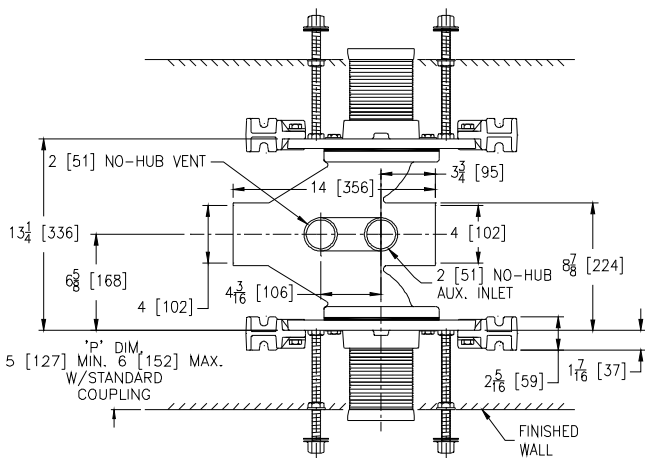
# Z1203-ND4-JC

ADJUSTABLE HORIZONTAL BACK-TO-BACK  
SIPHON JET NO-HUB WITH AUXILIARY INLET

SPECIFICATION SHEET

TAG \_\_\_\_\_

Dimensional Data (inches and [ mm ]) are Subject to Manufacturing Tolerances and Change Without Notice



Product Number	Approx. Wt. Lbs. [kg]
Z1203-ND4-JC	120 [51]

**Note:**

1. Min. 'P' Dim. Obtainable = 2 [51] with cut standard coupling
2. Feet bolted to floor using min. 1/2 [13] dia. bolts and back slots on carrier feet.

**ENGINEERING SPECIFICATION: ZURN Z1203-ND4-JC**

Adjustable, horizontal siphon jet water closet "Rigid System" with 4" [102mm] No-Hub connections. Complete with Dura-Coated cast iron double main fittings, with 2" [51mm] vent and 2" [51mm] auxiliary inlet with sanitary sweep, adjustable gasketed face plates, universal floor mounted foot supports, corrosion resistant adjustable ABS couplings with integral test cap, fixture bolts, trim, stud protectors, and bonded "Neo-Seal" gaskets.

**OPTIONS** (Check/specify appropriate options)

\_\_\_\_\_ Z1203-ND4-JC 4 [102] No-Hub Double Inlet

**PREFIXES**

- \_\_\_\_\_ Z D.C.C.I. System with Zurn "ZZ" Adjustable Coupling\*
- \_\_\_\_\_ ZQ D.C.C.I. System with Non-Adjustable Coupling

**SUFFIXES**

- |           |   |            |   |
|-----------|---|------------|---|
| _____ -A  | Auxiliary Support Assembly (for 'P' Dim. Greater Than 18 [457])       | _____ -PS  | Pre-Fab Slotted Foot  |
| _____ -B  | Blowout Type Fixture Support  | _____ -RYK | Unistrut Pre-Fab Foot   |
| _____ -CC | Corrosion Resistant Cast Iron Coupling (6 - 12 [152 - 305])           | _____ -VP  | Vandal Proof Trim   |
| _____ -CL | Coupling Length Other Than Standard 6 [152] (Specify Length Required) | _____ -X3  | 3 [76] Foot Extension Assembly (See Z1200-FT-EXT-3)           |
| _____ -F  | Floor Mounted, Back Outlet Fixture Support                            | _____ -X4  | 4 [102] Foot Extension Assembly (See Z1200-FT-EXT-4)          |
| _____ -M  | Auxiliary Foot Support (for 'P' Dim. 10 - 18 [254 - 457])             | _____ -45  | Finishing Frame for Siphon Jet System (See Z1200-FINFRAME-SJ) |
| _____ -PF | Pre-Fab Foot  | _____ -50  | Flush Valve Supply Support for W.C. (See Z1200-SPLY-SPRT-WC)  |

\* Regularly furnished unless otherwise specified.

Zurn Industries, LLC | Specification Drainage Operation  
1801 Pittsburgh Avenue, Erie, PA U.S.A. 16502 · Ph. 856-663-9876, Fax 814-454-7929  
In Canada | Zurn Industries Limited  
3544 Nashua Drive, Mississauga, Ontario L4V 1L2 · Ph. 905-405-8272, Fax 905-405-1292  
[www.zurn.com](http://www.zurn.com)

Rev. A  
Date: 10/10/2017  
C.N. No. 138603  
Prod. | Dwg. No. Z1203-ND4-JC