



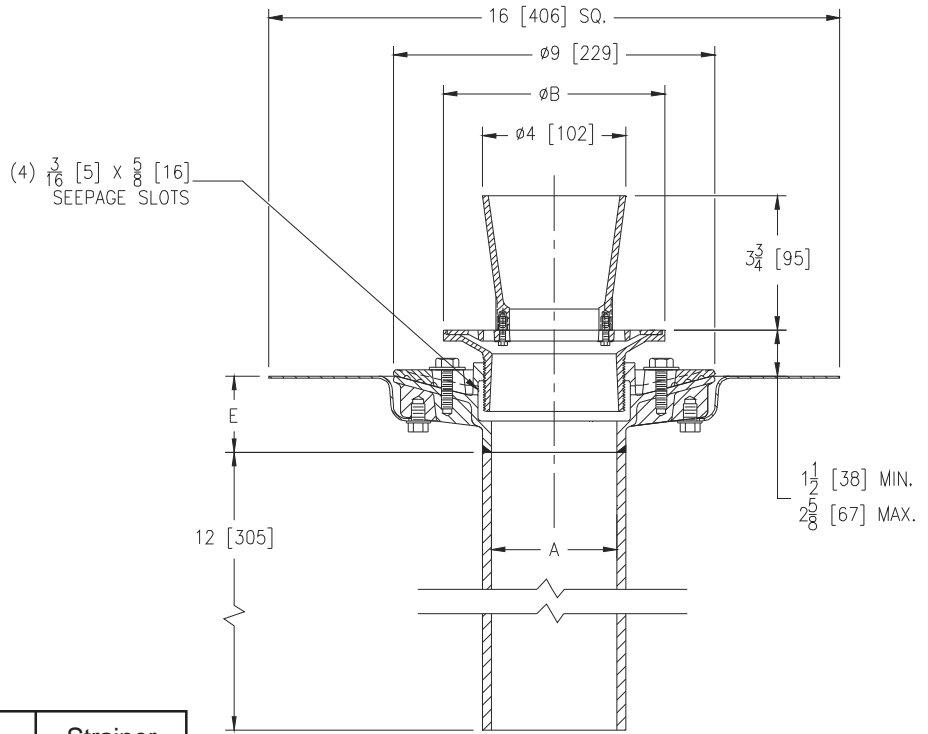
# Z1726-95

ADJUSTABLE LIGHT DUTY FLOOR DRAIN W/ CLAMP COLLAR, SEEPAGE HOLES, 4 [102] FUNNEL, DECK PLATE, & 12 [305] LONG OUTLET

SPECIFICATION SHEET

TAG \_\_\_\_\_

Dimensional Data (inches and [ mm ]) are Subject to Manufacturing Tolerances and Change Without Notice



Dimensions In Inches [mm]		Approx. Wt. Lbs. [kg]	Strainer Open Area Sq. In. [cm <sup>2</sup> ]
A Pipe Size	B Strainer Dia.		
2,3,4 [51,76,102]	6 [152]	36 [16]	11 [71]
2,3,4 [51,76,102]	7 [178]	37 [17]	15 [97]
3,4,6 [76,102,152]	8 [203]	39 [18]	20 [129]
6 [152]	10 [254]	42 [19]	27 [174]

**ENGINEERING SPECIFICATION: ZURN Z1726-95**  
 All Type 304 (CF8) stainless steel adjustable floor drain with anchor flange, clamp collar with seepage holes, stainless steel deck plate and 6" [152 mm] diameter light-duty vertically adjustable, satin finish top, with 4" [102mm] diameter stainless steel funnel, and 12" [305mm] long outlet.

**OPTIONS** (Check/specify appropriate options)

**PIPE SIZE**

2,3,4,6[51,76,102,152]

(Specify size/type) **OUTLET**

\_\_\_\_\_ NH No-Hub

**'E' BODY HT. DIM.**

2-7/8 [73]

**PREFIXES**

- \_\_\_\_\_ Z Type 304 (CF8) Stainless Steel Body\*
- \_\_\_\_\_ ZM Type 316 (CF8M) Stainless Steel Body
- \_\_\_\_\_ ZL Type 316L (CF3M) Stainless Steel Body

**SUFFIXES**

- \_\_\_\_\_ -RD7 7 [178] Diameter Type 304 Stainless Steel Top
- \_\_\_\_\_ -RD8 8 [203] Diameter Type 304 Stainless Steel Top
- \_\_\_\_\_ -RD10 10 [254] Diameter Type 304 Stainless Steel Top
- \_\_\_\_\_ -SG Solid Gasketed Cover
- \_\_\_\_\_ -V Bronze Backwater Valve
- \_\_\_\_\_ -VP Vandal-Proof Secured Top
- \_\_\_\_\_ -Y Stainless Steel Sediment Bucket

\* Regularly furnished unless otherwise specified.