



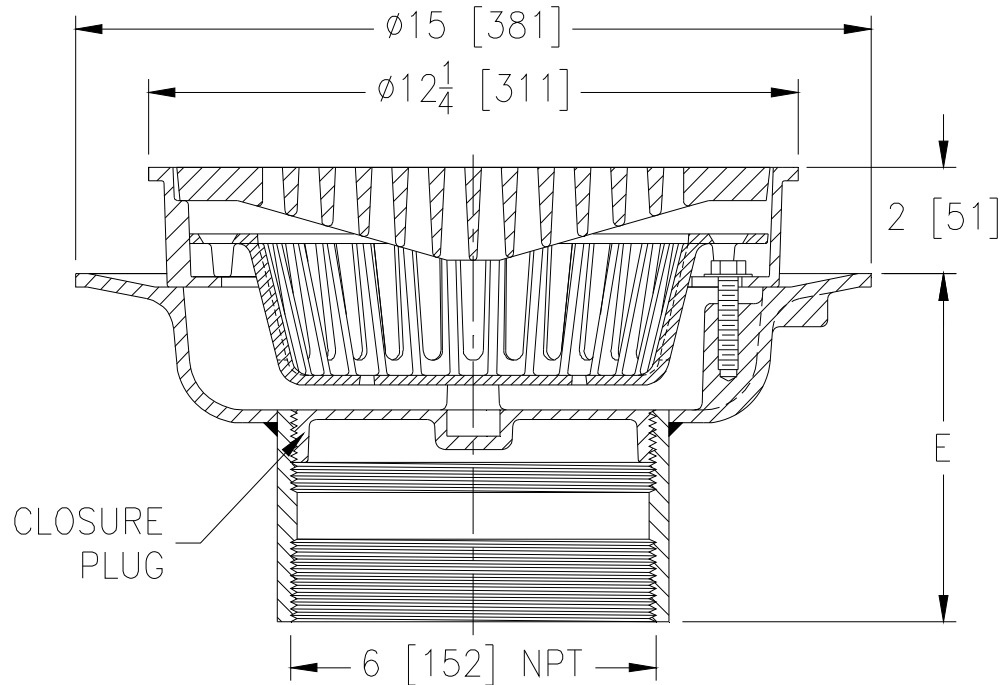
Z541-125

SPECIFICATION SHEET

12 [305] DIAMETER HEAVY-DUTY DRAIN W/6 [152] IP OUTLET AND WINTER CLOSURE PLUG

TAG _____

Dimensional Data (inches and [mm]) are Subject to Manufacturing Tolerances and Change Without Notice



A- Pipe Size In.	Approx. Wt. Lbs. [kg]	Grate Open Area Sq. In. [cm ²]
6 [152]	54 [24]	30 [194]

ENGINEERING SPECIFICATION: ZURN Z541-125
12 [305] Diameter top drain. Dura-Coated cast iron body with 6 [152] IP bottom outlet, winter closure plug, seepage pan and combination membrane flashing clamp and frame for anti-tilt heavy-duty slotted grate with suspended polypropylene sediment bucket.

OPTIONS (Check/specify appropriate options)

PIPE SIZE

6 [152]

(Specify size/type) **OUTLET**

____ IP Threaded

'E' BODY HT. DIM.

6 9/16 [167]

PREFIXES

- ____ Z D.C.C.I. Body and Top*
- ____ ZB D.C.C.I. Body with Polished Bronze Top (Add 3/16 [5] to 2 [51] Dim and 3/4[19] to 12 1/4[311] Dim.)
- ____ ZN D.C.C.I. Body with Polished Nickel Bronze Top (Add 3/16 [5] to 2 [51] Dim and 3/4[19] to 12 1/4[311] Dim.)

SUFFIXES

- ____ -AR Acid Resisting Epoxy Coated Cast Iron
- ____ -D Dome Grate (D.C.C.I. only)
- ____ -DG Duresist Grate
- ____ -DX Dex-o-tex Flange
- ____ -G Galvanized Cast Iron
- ____ -H Hinged Grate
- ____ -HP Heel-Proof Grate
- ____ -LY (Less) Sediment Bucket
- ____ -P Trap Primer Connection
- ____ -PH Packing House Grate
- ____ -S Secondary Strainer
- ____ -SS Stainless Mesh Liner for Bucket
- ____ -TG Tractor Grate
- ____ -TS Top Secured with Slotted Screws
- ____ -VP Vandal-Proof Secured Top
- ____ -WS Wide Slotted Grate (50 sq. in open)
- ____ -YC Cast Iron Sediment Bucket

*REGULARLY FURNISHED UNLESS OTHERWISE SPECIFIED

REV.	DATE: 2/17/10	C.N. NO. 110700
DWG. NO. P-15845 PRODUCT NO. Z541-125		