



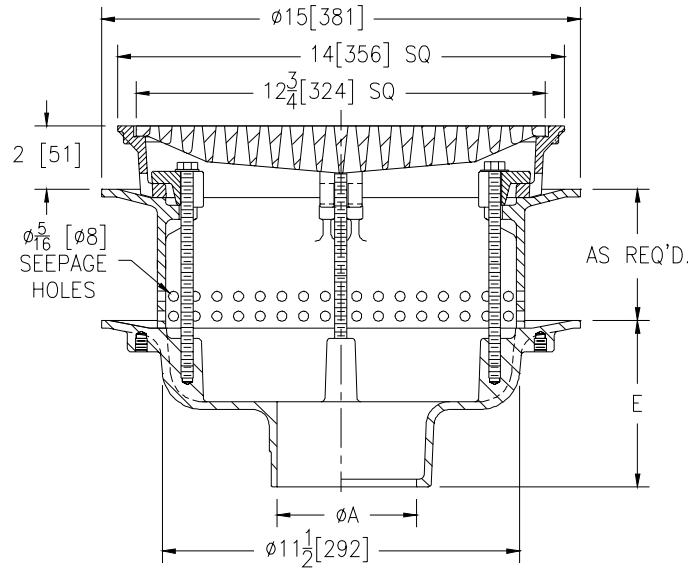
# Z150-121

## 14 [356] TOP PROM-DECK DRAIN W/ HEEL-PROOF GRATE, ROTATABLE FRAME, AND PERFORATED EXTENSION

SPECIFICATION SHEET

TAG \_\_\_\_\_

Dimensional Data (inches and [mm]) are Subject to Manufacturing Tolerances and Changes Without Notice



A- Pipe Size In.	Approx. Wt. Lbs. [kg]	Grate Open Area Sq. In. [cm <sup>2</sup> ]
2-3-4 [51-76-102]	53 [24]	56 [361]
5-6 [127-152]		
8 [204]	54 [24]	

**ENGINEERING SPECIFICATION:** ZURN Z150-121  
14 [356] Square Top Prom-Deck drain, Dura-Coated cast iron body with perforated extension, rotatable square promenade frame, frame clamps and heavy-duty heel-proof ductile iron grate.

**OPTIONS** (Check/specify appropriate options)

**PIPE SIZE**

(Specify size/type) **OUTLET**

**E BODY HT. DIM.**

- 2-3-4-5-6-8 [51-76-102-127-152-204]
- 2-3-4-5-6-8 [51-76-102-127-152-204]
- 2-3-4-5-6-8 [51-76-102-127-152-204]
- 2-3-4 [51-76-102]

- \_\_\_ IC Inside Caulk
- \_\_\_ IP Threaded
- \_\_\_ NH No-Hub
- \_\_\_ NL Neo-Loc

- 5 1/4 [133]
- 3 3/4 [95]
- 5 1/4 [133]
- 4 5/8 [117]

**PREFIXES**

- \_\_\_ Z D.C.C.I. Body with Top\*
- \_\_\_ ZB D.C.C.I. Body with Polished Bronze Top (Add 3/16 [5] to 2 [51] Dim & 3/8 [10] to 14 [356] Dim.)
- \_\_\_ ZN D.C.C.I. Body with Polished Nickel Bronze Top (Add 3/16 [5] to 2 [51] Dim. & 3/8 [10] to 14 [356] Dim.)

**SUFFIXES**

- |  |  |
|--|--|
| ___ -AR Acid Resistant Epoxy Coated  | ___ -G Galvanized Cast Iron  |
| ___ -C Underdeck Clamp   | ___ -R Roof Sump Receiver  |
| ___ -DB Deep Sump Body   | ___ -S Secondary Strainer  |
| ___ -DP Top-Set® Roof Deck Plate<br>(Replaces both the -C and -R)                          | ___ -SC Secondary Clamping Collar  |
| ___ -DR Top-Set® Drain Riser<br>(Adjustment from 3 5/8 [92] to 7 1/4 [184])                | ___ -TC Neo-Loc Test Cap Gasket<br>(2 [51] - 4 [102] NL Bottom Outlet Only)    |
| ___ -DX Dex-o-tex Flange   | ___ -TS Secured Top with Slotted Screws  |
| ___ -EA Adjustable Extension Assembly<br>1 3/4 [44] thru 3 1/2 [89]                        | ___ -VP Vandal Proof Secured Top   |
| ___ -ES Static Extension with Secondary Clamp at Body<br>(for clamping at roof drain body) | ___ -XJ Vertical Expansion Joint (See Z190)                                    |
|  | ___ -Y Sediment Bucket   |
|  | ___ -85 Stainless Steel Perforated Extension                                   |
|  | ___ -90 90° Threaded Side Outlet Body (2 [51] thru 6 [152] ) (Previously Z153) |

REV.	DATE: 07/26/05	C.N. NO. 93644
DWG. NO. P-15180	PRODUCT NO. Z150-121	

\*REGULARLY FURNISHED UNLESS OTHERWISE SPECIFIED