



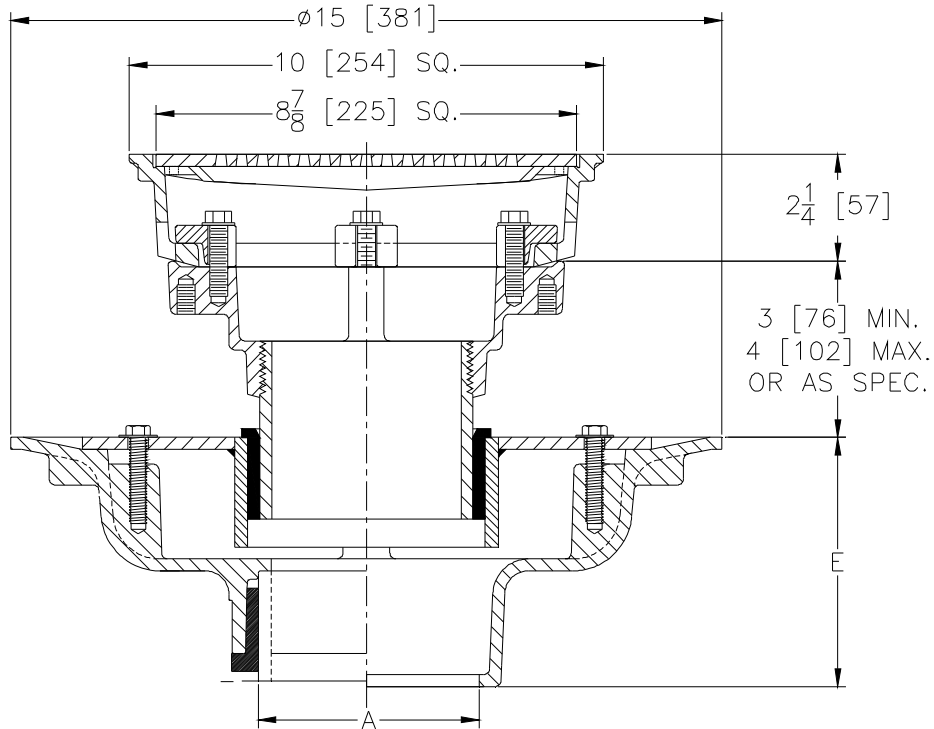
Z625-91

ISOLATION DECK ADJUSTABLE DRAIN W/ UPPER Z158 DRAIN

SPECIFICATION SHEET

TAG _____

Dimensional Data (inches and [mm]) are Subject to Manufacturing Tolerances and Change Without Notice



A Pipe Size	Approx. Wt. Lbs. [kg]	Grate Open Area Sq. In. [cm ²]
2, 3, 4 [51, 76, 102]	53 [24]	21 [136]
5, 6 [127, 152]		

ENGINEERING SPECIFICATION: ZURN Z625-91
Adjustable isolation deck drain, Dura-Coated cast iron upper and lower bodies, lower clamp collar with neoprene flex gasket and isolation nipple. Upper body with rotatable square promenade frame with seepage openings, frame clamps and light-duty heel-proof grate.

OPTIONS (Check/specify appropriate options)

PIPE SIZE

- 2 thru 6 [51 thru 152]
- 2 thru 4, 6 [51 thru 102, 152]
- 2 thru 6 [51 thru 152]
- 2 thru 6 [51 thru 152]
- 2 thru 4 [51 thru 102]
- 6 [152]

(Specify size/type) **OUTLET**

- _____ IC Inside Caulk
- _____ IG Inside Caulk w/Sealtrol Gskt.
- _____ IP Threaded
- _____ NH No-Hub
- _____ NL Neo-Loc
- _____ NL Neo-Loc

'E' BODY HT. DIM.

- 5 1/4 [133]
- 5 1/4 [133]
- 3 3/4 [95]
- 5 1/4 [133]
- 4 9/16 [116]
- 5 7/16 [138]

PREFIXES

- _____ Z D.C.C.I. Body and Top*
- _____ ZB D.C.C.I. Body w/Polished Bronze Top
- _____ ZN D.C.C.I. Body w/Polished Nickel Bronze Top

SUFFIXES

- _____ -C Underdeck Clamp (Lower Body)
- _____ -DG Duresist Grate (Z only)
- _____ -G Galvanized Cast Iron
- _____ -R Sump Receiver (Lower Body)
- _____ -TS Top Secured with Slotted Screws
- _____ -VP Vandal-Proof Secured Top
- _____ -Y Sediment Bucket (Upper Body)

REV.	DATE: 9/18/09	C.N. NO. 96596
DWG. NO. P-15416		PRODUCT NO. Z625-91

*REGULARLY FURNISHED UNLESS OTHERWISE SPECIFIED