



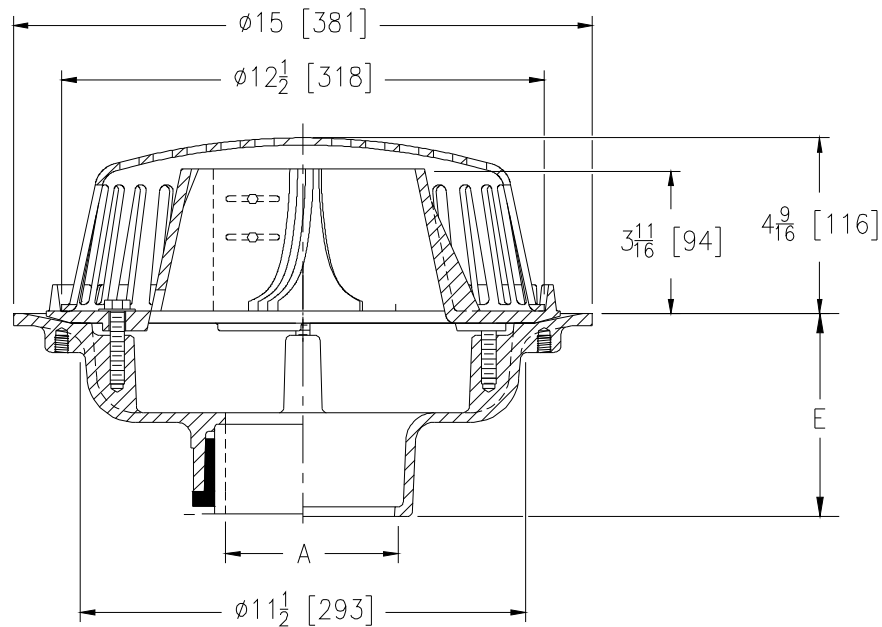
# Z105-104

## "CONTROL-FLO" ROOF DRAIN W/ PARABOLIC WEIR

SPECIFICATION SHEET

TAG \_\_\_\_\_

Dimensional Data (inches and [ mm ]) are Subject to Manufacturing Tolerances and Change Without Notice



Offset	Flow per Inch of Head (GPM)		
	1"	2"	3"
7/8"	5.3	10.9	13

### ENGINEERING SPECIFICATION: ZURN Z105-104

Ø15 "[381mm]" Control-Flo roof drain for Dead-Level roof construction, Dura-Coated cast iron body with "Control-Flow" weir, integral membrane flashing clamp/gravel guard and Poly-Dome. All data shall be verified proportional to flow rates.

### OPTIONS (Check/specify appropriate options)

#### PIPE SIZE

- 2, 3, 4 [51,76,102]
- 2, 3, 4 [51,76,102]
- 2, 3, 4 [51,76,102]
- 2, 3, 4 [51,76,102]

#### (Specify size/type) OUTLET

- \_\_\_\_\_ IC Inside Caulk
- \_\_\_\_\_ IP Threaded
- \_\_\_\_\_ NH No-Hub
- \_\_\_\_\_ NL Neo-Loc

#### E BODY HT. DIM.

- 5-1/4 [133]
- 3-3/4 [95]
- 5-1/4 [133]
- 4-9/16 [116]

### PREFIXES

- \_\_\_\_\_ Z D.C.C.I. Body with Poly-Dome\*
- \_\_\_\_\_ ZA D.C.C.I. Body with Aluminum Dome
- \_\_\_\_\_ ZC D.C.C.I. Body with Cast Iron Dome
- \_\_\_\_\_ ZRB D.C.C.I. Body with Plain Bronze Dome

### SUFFIXES

- \_\_\_\_\_ -C Underdeck Clamp
- \_\_\_\_\_ -DE Deck Extension
- \_\_\_\_\_ -DR Top-Set® Drain Rise
- \_\_\_\_\_ -E Static Extension
- \_\_\_\_\_ -EA Adjustable Extension Assembly  
2-1/8 [54] thru 3-1/2 [89]
- \_\_\_\_\_ -G Galvanized Cast Iron
- \_\_\_\_\_ -R Roof Sump Receiver
- \_\_\_\_\_ -TC Neo-Loc Test Cap Gasket  
(2,3,4 [51,76,102] NL Bottom Outlet Only)
- \_\_\_\_\_ -VP Vandal Proof Secured Top
- \_\_\_\_\_ -XJ Vertical Expansion Joint (See Z190)
- \_\_\_\_\_ -10 6 [152] High Parabolic Weir for Sloped Roof  
(Z or ZA)
- \_\_\_\_\_ -90 90° Threaded Side Outlet Body

\* Regularly furnished unless otherwise specified.