



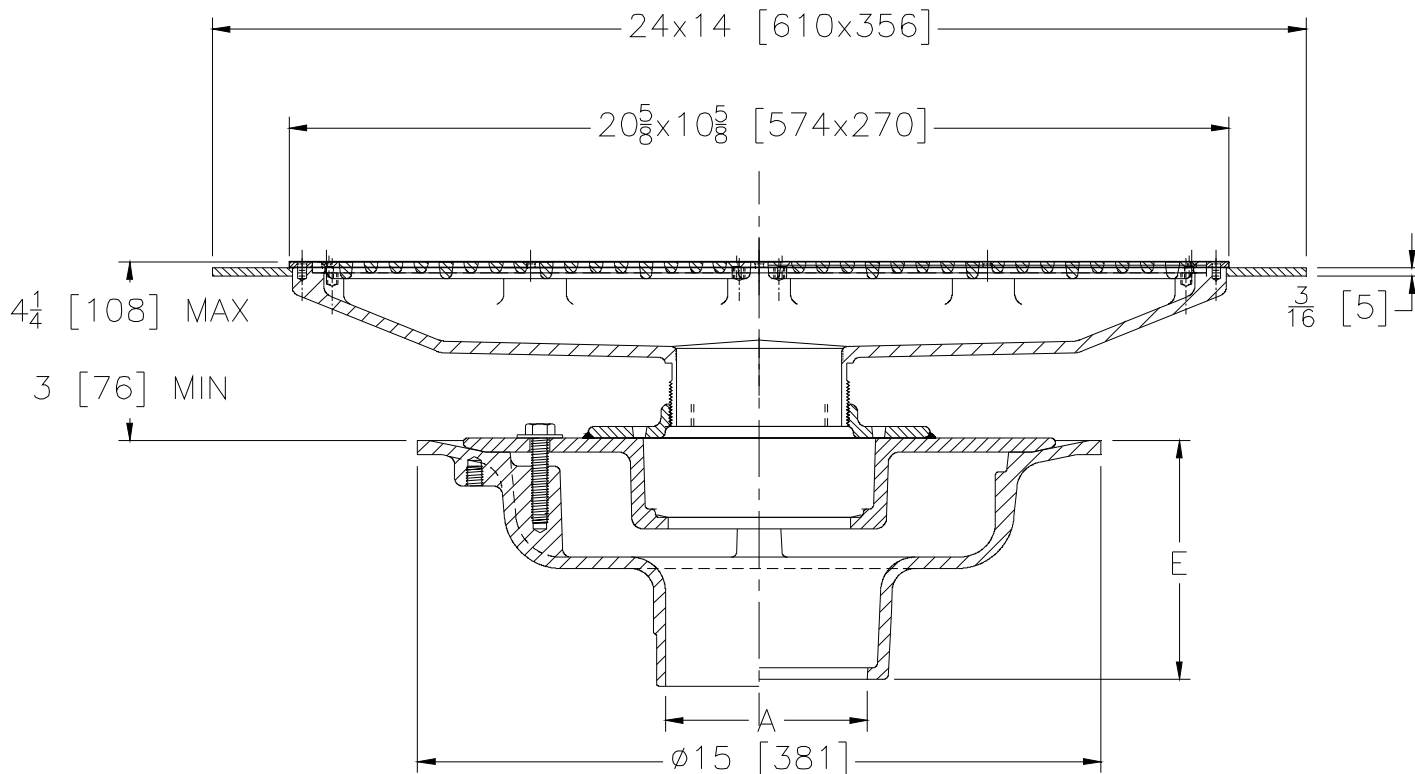
# Z624-99

## ISOLATION DECK ADJUSTABLE DRAIN W/ "TYPE J" RECTANGULAR STRAINER AND DEX-O-TEX FLANGE

SPECIFICATION SHEET

TAG \_\_\_\_\_

Dimensional Data (inches and [ mm ]) are Subject to Manufacturing Tolerances and Change Without Notice



A Pipe Size	Approx. Wt. Lbs. [kg]	Grate Open Area Sq. In. [cm <sup>2</sup> ]
2, 3, 4 [51, 76, 102]	63 [29]	66 [425]
5, 6 [127, 152]		

### ENGINEERING SPECIFICATION: ZURN Z624-99

Adjustable isolation deck drain, Dura-Coated cast iron lower body, lower clamp collar, and rectangular adjustable light duty strainer top with Dura-Coated cast iron head, polished frame, and secured slotted grate. (specify ZB or ZN)

### OPTIONS (Check/specify appropriate options)

#### PIPE SIZE

- 2 thru 6 [51 thru 152]
- 2 thru 4, 6 [51 thru 102, 152]
- 2 thru 6 [51 thru 152]
- 2 thru 6 [51 thru 152]
- 2 thru 4 [51 thru 102]
- 6 [152]

#### (Specify size/type) OUTLET

- \_\_\_\_\_ IC Inside Caulk
- \_\_\_\_\_ IG Inside Gasket
- \_\_\_\_\_ IP Threaded
- \_\_\_\_\_ NH No-Hub
- \_\_\_\_\_ NL Neo-Loc
- \_\_\_\_\_ NL Neo-Loc

#### 'E' BODY HT. DIM.

- 5-1/4 [133]
- 5-1/4 [133]
- 3-3/4 [95]
- 5-1/4 [133]
- 4-5/8 [117]
- 5-7/16 [138]

#### PREFIXES

- \_\_\_\_\_ ZB D.C.C.I Body w/ Polished Bronze Top
- \_\_\_\_\_ ZN D.C.C.I Body w/ Polished Nickel Bronze Top\*

#### SUFFIXES

- \_\_\_\_\_ -C Underdeck Clamp (Lower Body)
- \_\_\_\_\_ -G Galvanized Cast Iron
- \_\_\_\_\_ -R Sump Receiver (Lower Body)
- \_\_\_\_\_ -U 3 [76] High Extension Adapter (Upper Body)
- \_\_\_\_\_ -VP Vandal-Proof Secured Top

REV.	DATE: 6/29/11	C.N. NO. 121520
DWG. NO. 306501		PRODUCT NO. Z624-99

\*REGULARLY FURNISHED UNLESS OTHERWISE SPECIFIED

ZURN INDUSTRIES, LLC. ♦ SPECIFICATION DRAINAGE OPERATION ♦ 1801 Pittsburgh Ave. ♦ Erie, PA 16514

Phone: 814/455-0921 ♦ Fax: 814/454-7929 ♦ World Wide Web: www.zurn.com

In Canada: ZURN INDUSTRIES LIMITED ♦ 3544 Nashua Drive ♦ Mississauga, Ontario L4V1L2 ♦ Phone: 905/405-8272 Fax: 905/405-1292