



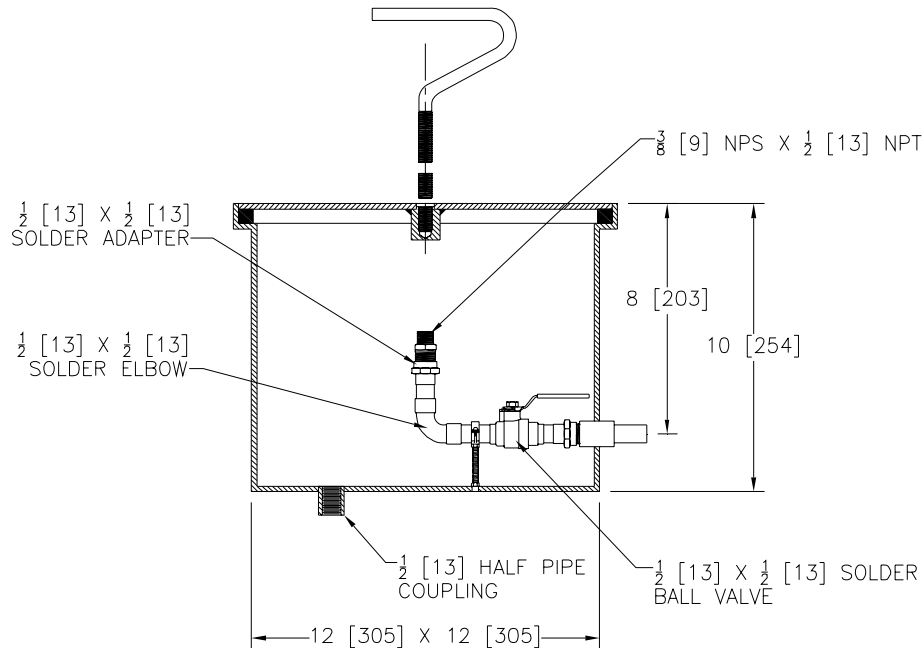
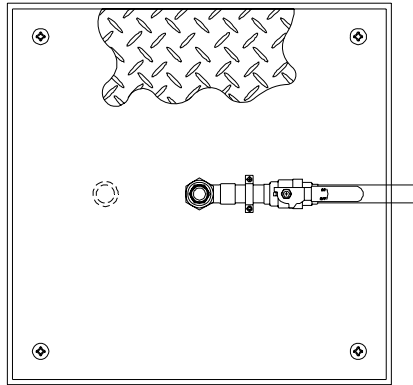
Z1464-79

SPECIFICATION SHEET

WATER SUPPLY CONTROL BOX WITH HEAVY-DUTY TRAFFIC COVER

TAG _____

Dimensional Data (inches and [mm]) are Subject to Manufacturing Tolerances and Change Without Notice



Approx. Wt. Lbs. [kg]
65 [30]

ENGINEERING SPECIFICATION: ZURN Z1464-79

All type 304 fabricated stainless steel water supply box furnished with secured, gasketed, non-skid heavy-duty traffic cover with lift handle rated at 10,000 lb [4535 kg] maximum safe live load, 1/2 [13] bronze quarter-turn ball valve, 5-FT [1.5-m] length of 3/8 [9] compression braided stainless steel hose (not shown in drawing), and 1/2 [13] drain port.

OPTIONS (Check/specify appropriate options)

PREFIXES

____ ZS Type 304 Stainless Steel Box Assembly w/ D.C.C.I. Body Assembly *

SUFFIXES

____ -12FIP 3/8 [10] Compression By 1/2 [13] FIP Stainless Steel Hose

____ -K Anchor Flange 1 3/4 [44] Down From Top and 2 [51] wide

REV.	DATE: 3/2/07	C.N. NO. 96269
DWG. NO. P-15386	PRODUCT NO. Z1464-79	

*REGULARLY FURNISHED UNLESS OTHERWISE SPECIFIED