



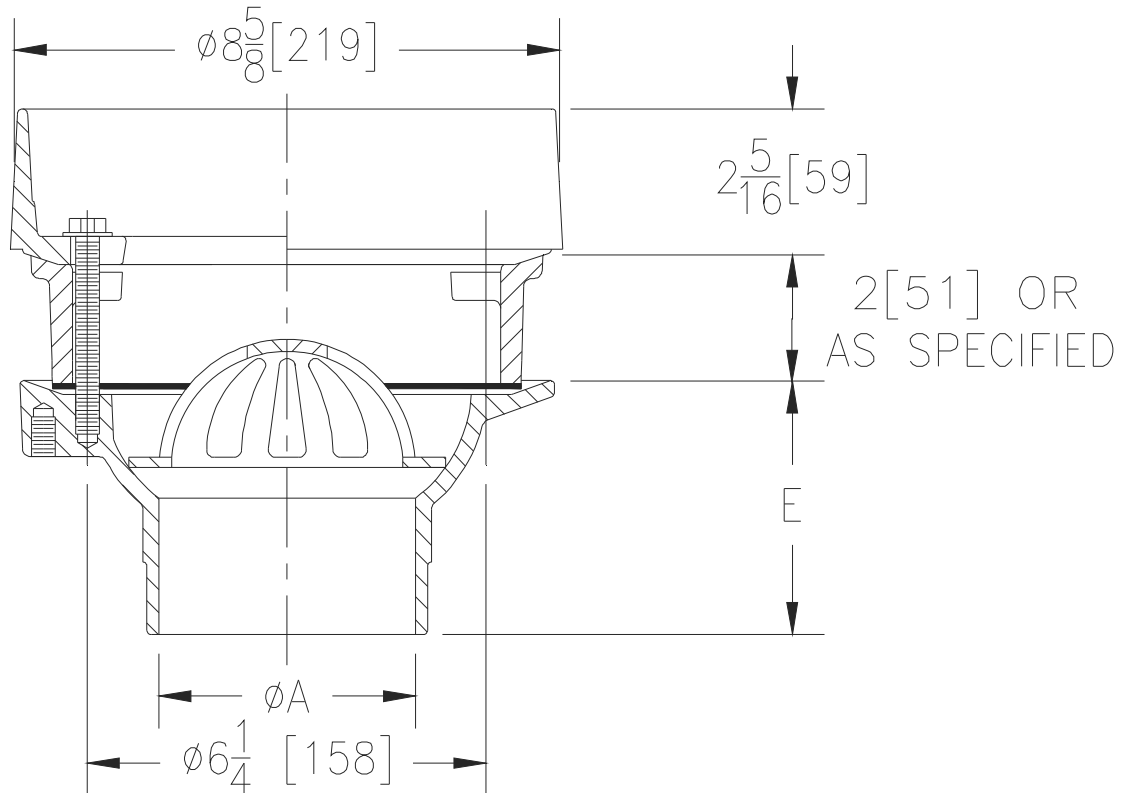
# Z127-E

## 8-5/8" [219] DIAMETER DECK RECEPTOR DRAIN W/STATIC EXTENSION

SPECIFICATION SHEET

TAG \_\_\_\_\_

Dimensional Data (inches and [ mm ]) are Subject to Manufacturing Tolerances and Change Without Notice



A Pipe Size in [mm]	Approx Wt. lbs [kg]
2,3,4 [51,76,102]	19 [9]

### ENGINEERING SPECIFICATION: ZURN Z127-E

8-5/8" [219mm] Diameter deck receptor drain, Dura-Coated cast iron body with combination membrane flashing clamp/deck receptor frame, static extension, gasket and internal dome strainer.

### OPTIONS (Check/specify appropriate options)

#### PIPE SIZE

- 2,3,4 [51,76,102]
- 2 [51]
- 3 [76]
- 4 [102]
- 2,3,4 [51,76,102]
- 2,3,4 [51,76,102]

#### (Specify size/type) OUTLET

- \_\_\_\_\_ IC Inside Caulk
- \_\_\_\_\_ IP Threaded
- \_\_\_\_\_ IP Threaded
- \_\_\_\_\_ IP Threaded
- \_\_\_\_\_ NH No-Hub
- \_\_\_\_\_ NL Neo-Loc

#### E BODY HT. DIM.

- 3-7/8 [98]
- 2-7/16 [62]
- 2-3/4 [70]
- 3 [76]
- 3-31/32 [101]
- 3-27/32 [98]

#### PREFIXES

- \_\_\_\_\_ Z D.C.C.I. Body with Collar\*

#### SUFFIXES

- |   |  |
|---|--|
| _____ -AR Acid Resistant Epoxy Coated                           | _____ -HD High Dome  |
| _____ -C Underdeck Clamp  | _____ -R Roof Sump Receiver  |
| _____ -DP Top-Set® Roof Deck Plate<br>(Replaces both -C and -R) | _____ -TC Neo-Loc Test Cap Gasket<br>(2,3,4 [51,76,102] NL Bottom Outlet Only) |
| _____ -EB Top-Set Adjustable Extension Assembly                 |  |
| _____ -G Galvanized Cast Iron                                   |  |

\* Regularly furnished unless otherwise specified.