



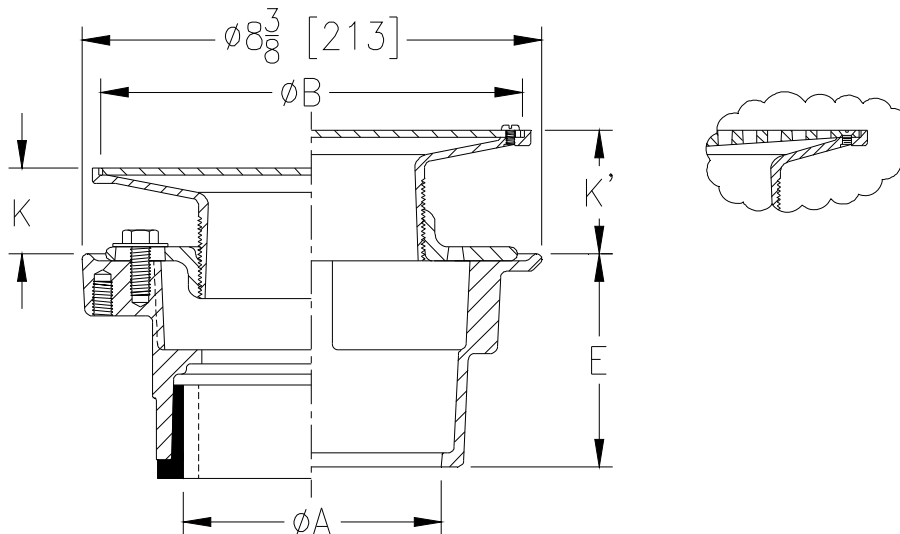
Z415B-110

BODY ASSEMBLY W/ 1/8 [3] THICK DEBRIS COVER AND SWAP-OUT "TYPE B" STRAINER

SPECIFICATION SHEET

TAG _____

Dimensional Data (inches and [mm]) are Subject to Manufacturing Tolerances and Change Without Notice



Dimensions In Inches						Approx. Wt. Lbs. [kg]	Strainer Open Area Sq. In. [cm ²]
A Pipe Size	B Strainer Dia.	K		K'			
		Min.	Max.	Min.	Max.		
2-3 [51-76]	5 [127]	1/2 [13]	1 5/8 [41]	1 3/8 [35]	2 3/8 [60]	11 [5]	8 [52]
2-3-4 [51-76-102]	6 [152]	3/4 [19]	1 3/4 [44]	1 5/8 [41]	2 3/4 [70]	13 [6]	9 [58]
2-3-4 [51-76-102]	7 [178]	1 [25]	2 1/4 [57]	2 [51]	3 1/8 [79]	14 [6]	12 [77]
3-4 [76-102]	8 [203]	1 1/8 [29]	2 1/4 [57]	2 [51]	3 1/8 [79]	16 [7]	18 [116]
6 [152]	8 [203]	1 1/8 [29]	2 1/4 [57]	2 [51]	3 1/8 [79]	18 [8]	18 [116]
6 [152]	10 [254]	1 5/8 [41]	2 5/8 [67]	2 5/8 [67]	3 1/2 [89]	22 [10]	26 [168]

ENGINEERING SPECIFICATION: ZURN ZN415B-110 Floor and shower drain, Dura-Coated cast iron body with bottom outlet, combination invertible membrane clamp and adjustable collar with seepage slots, and 1/8 [3] thick construction debris cover with securing screws. Debris cover can be swapped out with the "TYPE B" polished nickel bronze strainer

OPTIONS (Check/specify appropriate options)

PIPE SIZE

- 2 thru 4 [51 thru 102]
- 2 thru 4 [51 thru 102]
- 2 [51]
- 3 [76]
- 4 [102]
- 6 [152]
- 2 thru 4 [51 thru 102]
- 2 thru 4 [51 thru 102]

(Specify size/type) **OUTLET**

- _____ IC Inside Caulk
- _____ IG Inside Gasket
- _____ IP Threaded
- _____ IP Threaded
- _____ IP Threaded
- _____ IP Threaded
- _____ NH No-Hub
- _____ NL Neo-Loc

'E' BODY HT. DIM.

- 3 7/8 [98]
- 3 7/8 [98]
- 2 3/8 [60]
- 2 5/8 [67]
- 2 7/8 [73]
- 2 3/4 [70]
- 3 7/8 [98]
- 3 3/4 [95]

PREFIXES

- ___ ZB D.C.C.I. Body Assembly w/ Polished Bronze Top
- ___ ZN D.C.C.I. Body Assembly w/ Polished Nickel Bronze Top*

SUFFIXES

- | | |
|---|---|
| <ul style="list-style-type: none"> ___ -AA All Acid Resisting Epoxy ___ -AR Acid Resisting Epoxy Coated Cast Iron ___ -CP Chrome-Plated Bronze Top ___ -DP Decorative Polished Top ___ -G Galvanized Cast Iron ___ -HD Heavy-Duty Slotted Grate (ZN 5 [127] & 6 [152] Sizes Only) ___ -OF Oval Funnel (Z329-7) (6 - 10 [152 - 254] Strainers Only) ___ -P Trap Primer Connection (Specify 1/2 [13] or 3/4 [19]) ___ -SA Z1035 Stabilizer Assembly (NH & NL Outlets only) ___ -SQ Z1035-Q Stabilizer Assembly (NH & NL Outlets only) ___ -SR Stabilizer Ring ___ -TC Neo-Loc Test Cap Gasket (2 - 4 [51 - 102] NL Outlet Only) | <ul style="list-style-type: none"> ___ -U 1 - 3 [25 - 76] High Extension Adapter ___ -V Backwater Valve ___ -VP Vandal-Proof Secured Top ___ -W Winter Closure Plug ___ -Y Sediment Bucket ___ -4 4 [102] Diameter Funnel (Z328) ___ -18 Leveling Ring (See Z400-18) ___ -90 90° Threaded Side Outlet Body Assembly (2 [51], 3 [76] Only) |
|---|---|

REV.	DATE: 8/20/09	C.N. NO. 110108
DWG. NO. P-15748 PRODUCT NO. Z415B-110		

*REGULARLY FURNISHED UNLESS OTHERWISE SPECIFIED