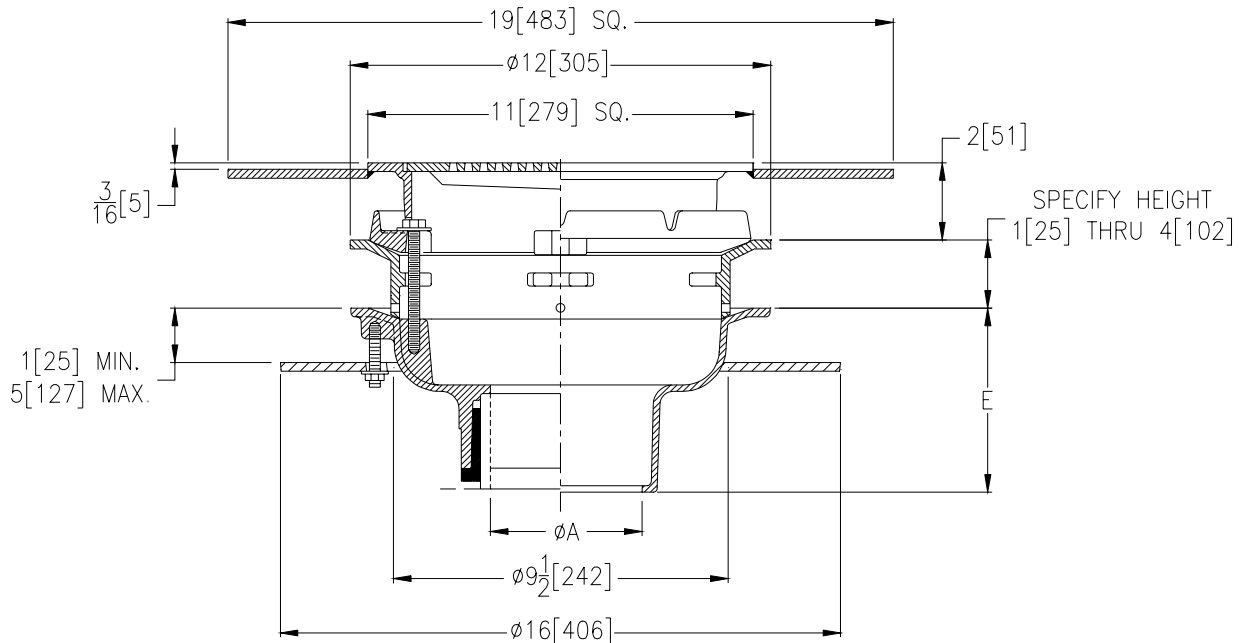




**Z-154-90**  
**11" [279] PROM-DECK DRAIN**  
**WITH HEEL-PROOF GRATE**

SPECIFICATION SHEET  
 TAG \_\_\_\_\_

Dimensional Data (inches and [mm]) are Subject to Manufacturing Tolerances and Changes Without Notice



A- Pipe Size In.	Approx. Wt. Lbs. [kg]	Grate Open Area Sq. In. [cm <sup>2</sup> ]
2-3-4-5-6 [50-75-100-125-150]	29 [13]	20 [129]

**ENGINEERING SPECIFICATION:** ZURN Z-154-90 11" [279] Top Prom-Deck drain, Dura-Coated cast iron body with static extension, underdeck clamp, square promenade Dex-o-tex frame and heel-proof grate with combination membrane flashing clamp/gravel guard.

**OPTIONS** (Check/specify appropriate options)

**PIPE SIZE**

- 2 thru 6 [50 thru 150]
- 2 thru 6 [50 thru 150]
- 2 thru 6 [50 thru 150]
- 2 thru 4 [50 thru 100]

(Specify size/type) **OUTLET**

- \_\_\_ IC Inside Caulk
- \_\_\_ IP Threaded
- \_\_\_ NH No-Hub
- \_\_\_ NL Neo-Loc

**'E' BODY HT. DIM.**

- 5 1/4 [133]
- 3 3/4 [95]
- 5 1/4 [133]
- 4 5/8 [117]

**PREFIXES**

- \_\_\_ Z- D.C.C.I. Body with Grate\*
- \_\_\_ ZB- D.C.C.I. Body with Polished Bronze Grate
- \_\_\_ ZN- D.C.C.I. Body with Polished Nickel Bronze Grate

**SUFFIXES**

- \_\_\_ -DG Duresist Grate
- \_\_\_ -G Galvanized Cast Iron
- \_\_\_ -R Roof Sump Receiver
- \_\_\_ -S Secondary Strainer
- \_\_\_ -SC Secondary Clamping Collar
- \_\_\_ -VP Vandal Proof Secured Top
- \_\_\_ -XJ Vertical Expansion Joint (See Z-190)
- \_\_\_ -85 Stainless Steel Perforated Extension
- \_\_\_ -90 90° Threaded Side Outlet Body

<b>REV.</b>	<b>DATE: 08/20/98</b>	<b>C.N. NO. 80965</b>
<b>DWG. NO. P-14660</b>	<b>PRODUCT NO. Z-154-90</b>	

\*REGULARLY FURNISHED UNLESS OTHERWISE SPECIFIED