



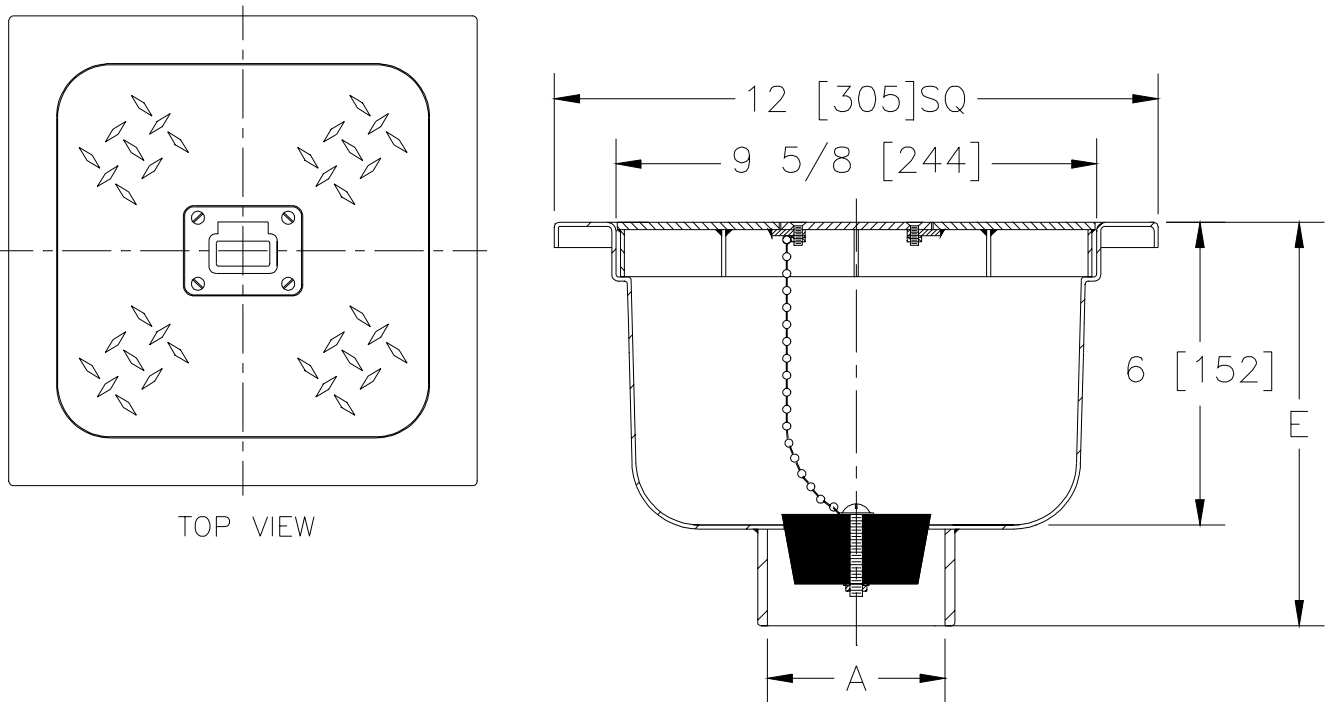
Z-1750-127

12" X 12" [305 x 305] SANI-FLOR RECEPTOR 6" [152] SUMP DEPTH

SPECIFICATION SHEET

TAG _____

Dimensional Data (inches and [mm]) are Subject to Manufacturing Tolerances and Change Without Notice



A- Pipe Size In.	Approx. Wt. Lbs. [kg]
2-3-4 [50-75-100]	15 [7]

ENGINEERING SPECIFICATION: ZURN Z-1750-127

12 x 12 x 6 [305 x 305 x 152] deep, 14 gage, All Type 304 (CF8) Stainless Steel light duty Sani-Flor receptor with non-tilt, loose set diamond plate solid cover, recessed stainless steel lift ring, stainless steel chain and rubber outlet stopper.

OPTIONS (Check/specify appropriate options)

PIPE SIZE

- 2 thru 4 [50 thru 100]
- 2 [50]
- 3 [75]
- 4 [100]
- 2 thru 4 [50 thru 100]
- 2 thru 4 [50 thru 100]

(Specify size/type) OUTLET

- ___ IC Inside Caulk
- ___ IP Threaded
- ___ IP Threaded
- ___ IP Threaded
- ___ NH No-Hub
- ___ NL Neo-Loc

'E' BODY HT. DIM.

- 8 9/16 [214]
- 7 5/16 [186]
- 7 9/16 [198]
- 8 1/16 [205]
- 8 1/16 [205]
- 7 13/16 [198]

PREFIXES

- ___ Z- Type 304 (CF8) Stainless Steel Body*
- ___ ZM- Type 316 (CF8M) Stainless Steel

SUFFIXES

- ___ -DX Dex-o-tex Flange
- ___ -IP Female Threaded Outlet
- ___ -K Anchor Flange
- ___ -KC Anchor Flange with Seepage Holes and Clamp Collar

*REGULARLY FURNISHED UNLESS OTHERWISE SPECIFIED

REV.	DATE: 4/29/02	C.N. NO. 88475
DWG. NO. P-14891 PRODUCT NO. Z-1750-127		

ZURN INDUSTRIES, INC. ♦ SPECIFICATION DRAINAGE OPERATION ♦ 1801 Pittsburgh Ave. ♦ Erie, PA 16514

Phone: 814/455-0921 ♦ Fax: 814/454-7929 ♦ World Wide Web: www.zurn.com

In Canada: ZURN INDUSTRIES LIMITED ♦ 3544 Nashua Drive ♦ Mississauga, Ontario L4V1L2 ♦ Phone: 905/405-8272 Fax: 905/405-1292