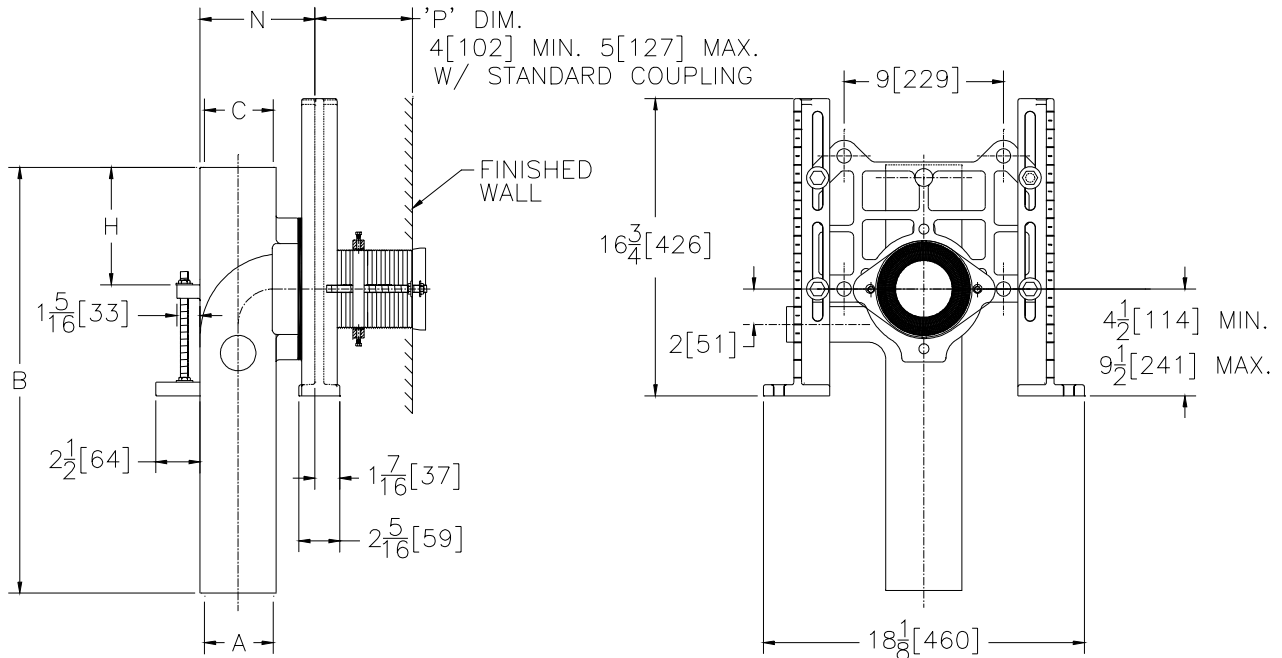




Z-1208-F

VERTICAL SIPHON JET WATER CLOSET SUPPORT SYSTEM

Dimensional Data (inches and [mm]) are Subject to Manufacturing Tolerances and Change Without Notice



Product No.	Dimensions In Inches					Approx. Wt. Lbs. [kg]
	A	B	C	H	N	
Z-1208-H42	4 [102]	14 3/4 [375]	2 [51]	4 3/8 [111]	6 1/4 [159]	60 [27]
Z-1208-H44		15 1/4 [387]		4 7/8 [124]	7 5/16 [186]	
Z-1208-N32	3 [76]	18 [457]	2 [51]	6 1/4 [159]	4 3/4 [121]	
Z-1208-N42	4 [102]	24 [610]		4 [102]	6 5/8 [168]	
Z-1208-N44			6 1/2 [165]			

ENGINEERING SPECIFICATION:

ZURN Z-1208-F (), Vertical Siphon Jet Water Closet "Rigid System" with () size No-Hub or Hub and Spigot connections. Complete with Dura-Coated cast iron main fitting, separable face plate rigidly mounted on fitting, universal floor mounted foot supports, corrosion resistant adjustable ABS coupling with integral test cap, fixture bolts, trim, and stud protectors. Rear anchor tie down, and bonded "Neo-Seal" gasket.

PRODUCT/DEFINITION

_____ Z-1208-H42	4 [102] Spigot,	2 [51] Hub Vent
_____ Z-1208-H44	4 [102] Spigot,	4 [102] Hub Vent
_____ Z-1208-N32	3 [76] No-Hub,	2 [51] No-Hub Vent
_____ Z-1208-N42	4 [102] No-Hub,	2 [51] No-Hub Vent
_____ Z-1208-N44	4 [102] No-Hub,	4 [102] No-Hub Vent

Note:

1. Min. 'P' Dim. Obtainable=2 [51]
2. Feet bolted to floor using min. 1/2 [13] dia. bolts and back slots on carrier feet.
3. Back anchor foot required for secure installation.

PREFIXES

_____ Z-	D.C.C.I. System with Zurn "ZZ" Adjustable Coupling *
_____ ZQ-	D.C.C.I. System with N.P.T. Inlet, Non-Adjustable Coupling

SUFFIXES

_____ -A	Auxiliary Support Assembly (For P-Dim. greater than 18 [457])	_____ -W	Adapter for Womens Urinal
_____ -B	Blowout Type Fixture Support	_____ -X3	3 [76] Foot Extension Assembly
_____ -CC	Corrosion Resistant C.I. Coupling 6 [152] Long	_____ -X4	4 [102] Foot Extension Assembly
_____ -CL	Coupling Length Greater than 12 [305] (Specify length if greater than 6 [152])	_____ -29	Mechanical Test Cap Assembly (Previously Z-1210-29)
_____ -G	Galvanized Cast Iron	_____ -45	Finishing Frame for Siphon Jet System (For Blowout System specify -45-B) (Previously Z-1210-45)
_____ -JJ	Two 2 [51] Auxiliary Inlets	_____ -50	Flush Valve Supply Support for W.C. (Previously Z-1210-50)
_____ -JL	2 [51] Left Hand Auxiliary Inlet	_____ -61	"ZZ" Coupling Wrench
_____ -JR	2 [51] Right Hand Auxiliary Inlet		
_____ -M	Auxiliary Foot Support (For P-Dim. 10 [254] to 18 [457])		
_____ -T	Threaded Connection (Available on Restricted Basis Only)		
_____ -VP	Vandal Proof Trim		

*REGULARLY FURNISHED UNLESS OTHERWISE SPECIFIED

REV. A	DATE: 1/23/98	C.N. NO. 79569
DWG. NO. 61673		PRODUCT NO. Z-1208-F