



# Z415C-77

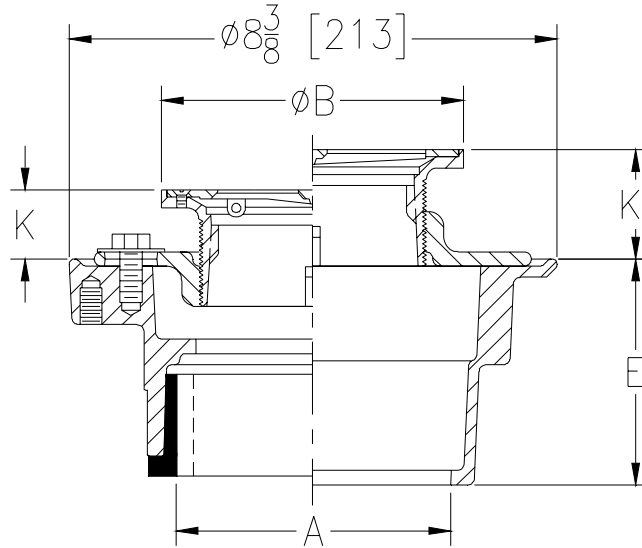
## BODY ASSEMBLY

### W/ 6" DIAMETER "TYPE C" STRAINER

SPECIFICATION SHEET

TAG \_\_\_\_\_

Dimensional Data (inches and [ mm ]) are Subject to Manufacturing Tolerances and Change Without Notice



Dimensions In Inches						Approx. Wt. Lbs. [kg]	Strainer Open Area Sq. In. [cm <sup>2</sup> ]
A - Pipe Size	B Strainer Dia.	K		K'			
		Min.	Max.	Min.	Max.		
2-3-4 [51-76-102]	6 [152]	3/4 [19]	1 3/4 [44]	1 5/8 [41]	2 3/4 [70]	13 [6]	9 [58]

**ENGINEERING SPECIFICATION:** ZURN ZN415C Floor and shower drain, Dura-Coated cast iron body with bottom outlet, combination invertible membrane clamp and adjustable collar with seepage slots and "TYPE C" polished, hinged nickel bronze strainer.

**OPTIONS** (Check/specify appropriate options)

PIPE SIZE	(Specify size/type)	OUTLET	'E' BODY HT. DIM.
2 thru 4 [51 thru 102]	_____	IC Inside Caulk	3 7/8 [98]
2 [51]	_____	IP Threaded	2 3/8 [60]
3 [76]	_____	IP Threaded	2 5/8 [67]
4 [102]	_____	IP Threaded	2 7/8 [73]
2 thru 4 [51 thru 102]	_____	NH No-Hub	3 7/8 [98]
2 thru 4 [51 thru 102]	_____	NL Neo-Loc	3 3/4 [95]

**PREFIXES**

- \_\_\_\_\_ ZB D.C.C.I. Body Assembly w/ Polished Bronze Top
- \_\_\_\_\_ ZN D.C.C.I. Body Assembly w/ Polished Nickel Bronze Top\*
- \_\_\_\_\_ ZS D.C.C.I. Body Assembly w/ Type 304 Stainless Steel Top

**SUFFIXES**

- \_\_\_\_\_ -AR Acid Resisting Epoxy Coated Cast Iron
  - \_\_\_\_\_ -CP Chrome-Plated Bronze Top
  - \_\_\_\_\_ -G Galvanized Cast Iron
  - \_\_\_\_\_ -P Trap Primer Connection (Specify 1/2 [13] or 3/4 [19])
  - \_\_\_\_\_ -SR Stabilizer Ring
  - \_\_\_\_\_ -TC Neo-loc Test Cap Gasket  
(2 - 4 [51 - 102] NL Bottom Outlet Only)
  - \_\_\_\_\_ -U 1 - 3 [25 - 76] High Extension Adapter
  - \_\_\_\_\_ -V Backwater Valve
  - \_\_\_\_\_ -VP Vandal-Proof Secured Top
  - \_\_\_\_\_ -Y Sediment Bucket
- \_\_\_\_\_ -18 Leveling Ring (See Z400-18)
  - \_\_\_\_\_ -90 90° Threaded Side Outlet Body Assembly (2 [51], 3 [76] Only)

\*REGULARLY FURNISHED UNLESS OTHERWISE SPECIFIED

<b>REV.</b>	<b>DATE: 1/7/10</b>	<b>C.N. NO. 110568</b>
<b>DWG. NO. P-15825 PRODUCT NO. Z415C-77</b>		