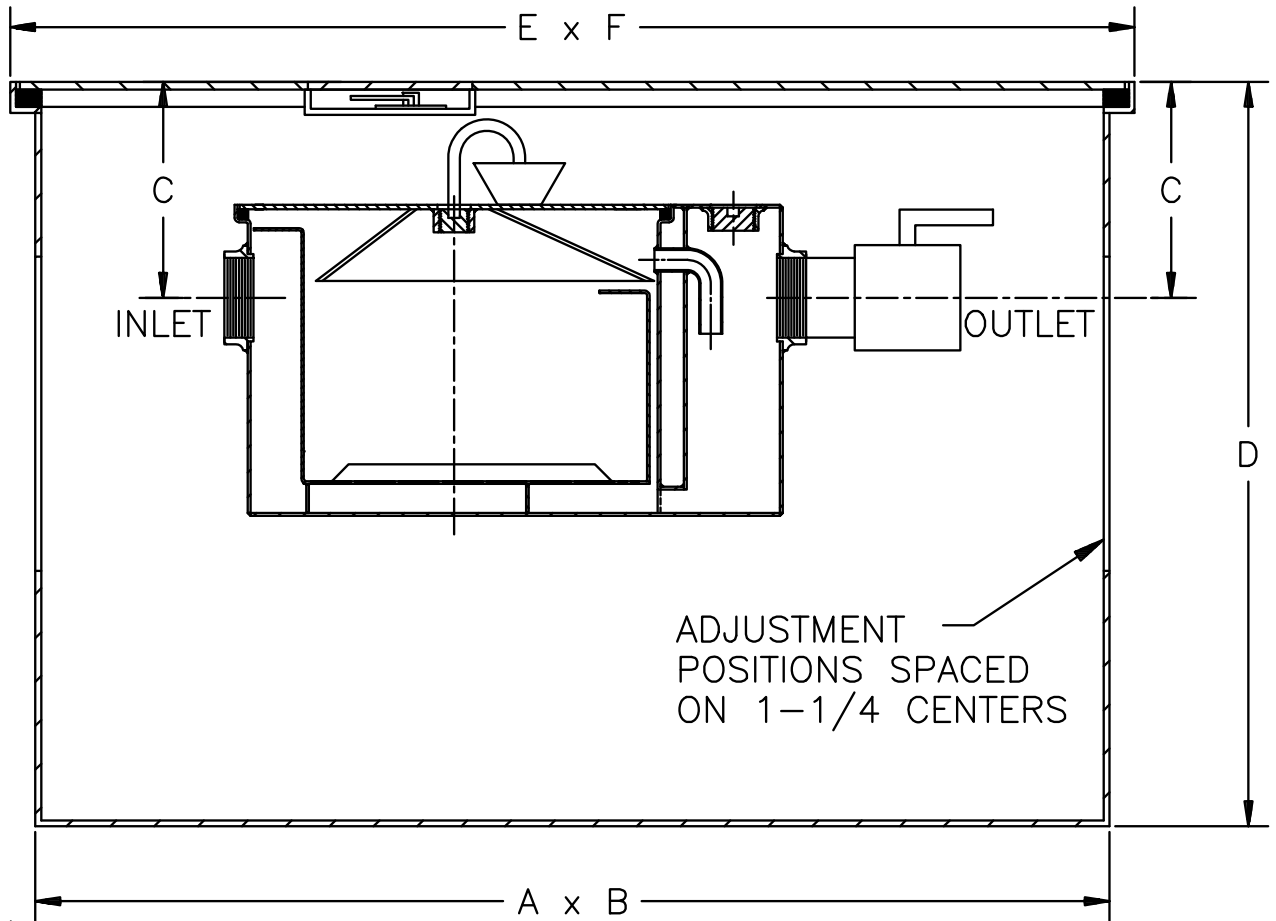




Z-1173-82 GREASEPTOR WITH GREASE ACCUMULATING CONE & ADJUSTABLE ENCLOSED RECESSING RECEIVER

TAG _____

Dimensional Data (inches or [mm]) are Subject to Manufacturing Tolerances and Change Without Notice



Size	Dimensions In Inches					
	A	B	C	D	E	F
300	34 7/8	15 3/8	4 3/8	19 1/8	36 7/8	17 3/8
400	37 1/2	17 1/2	4 7/8	20 3/4	39 1/2	19 1/2
500	39 5/8	20	5 3/8	22 3/8	41 5/8	22
600	42 1/4	20 3/4	5 3/4	24	44 1/4	22 3/4
700	47 1/2	23 1/4	5 7/8	25 3/4	49 1/2	25 1/4
800	48	26	5 7/8	27 3/4	50	28
900	50 3/4	28	6 7/8	30 1/2	52 3/4	30

ENGINEERING SPECIFICATION: ZURN Z-1173-82 Acid resisting epoxy coated steel body, baffles, nonslip covers, grease accumulating cone, enclosed recessed receiver, flow control tee (Z-1408) and in line closure valve.

REV. A DATE: 06/01/95 C.N. NO. 72006

DWG. NO. P-13675 PRODUCT NO. Z-1173-82

*REGULARLY FURNISHED UNLESS OTHERWISE SPECIFIED