

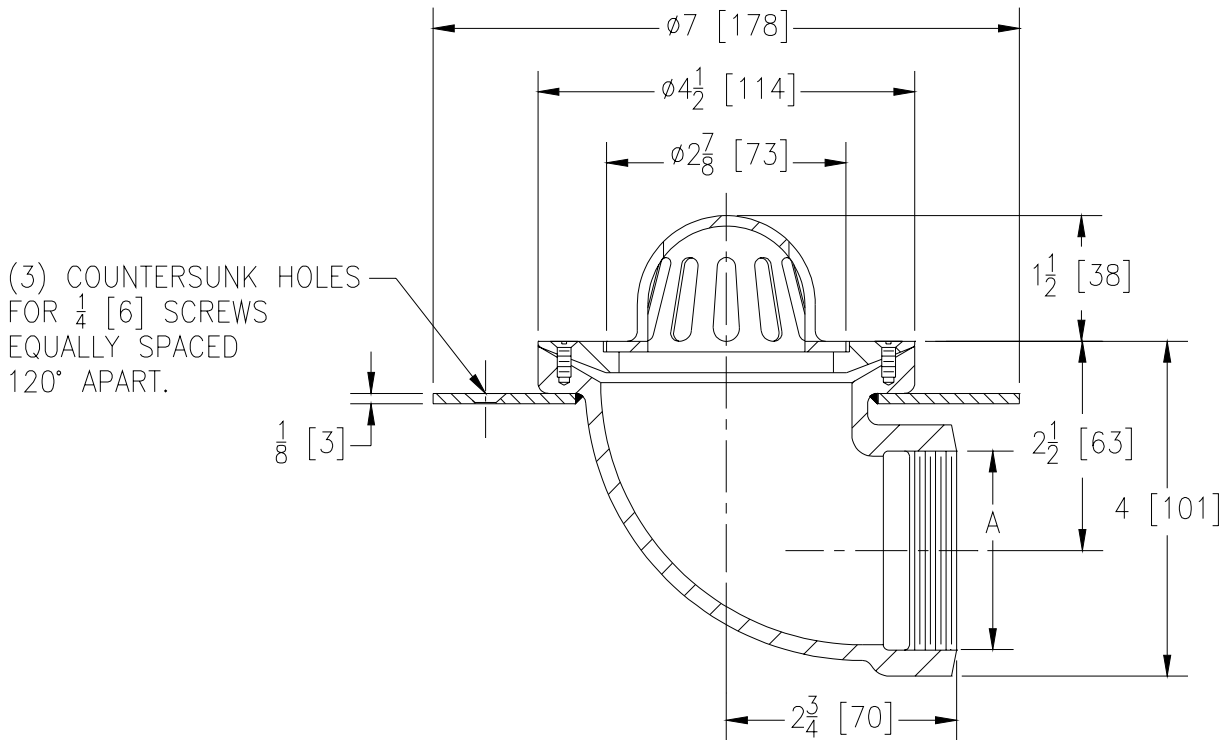


Z182-75
4 [102] DIAMETER CORNICE DRAIN
90° OUTLET W/ SECURING FLANGE

SPECIFICATION SHEET

TAG _____

Dimensional Data (inches and [mm]) are Subject to Manufacturing Tolerances and Changes Without Notice



A Pipe Size	Approx. Wt. Lbs. [kg]	Dome Open Area Sq. In. [cm ²]
2 [51]	5 [2]	4.5 [29]

ENGINEERING SPECIFICATION: ZURN ZRB182-75
 4 [102] Diameter Cornice drain, Dura-Coated cast iron 90° side outlet body with 7 [178] diameter wide flange with three countersunk securing holes, plain bronze dome and membrane flashing clamp.

OPTIONS (Check/specify appropriate options)

PIPE SIZE
 2 [51]

OUTLET
 ___ IP Threaded

PREFIXES

- ___ ZRB D.C.C.I. Body with Plain Bronze Dome*
- ___ ZB D.C.C.I. Body with Polished Bronze Dome
- ___ ZN D.C.C.I. Body with Polished Nickel Bronze Dome

SUFFIXES

- ___ -FS Flat Strainer (ZB or ZN)
- ___ -G Galvanized Cast Iron
- ___ -HD 3 [76] High Dome
- ___ -VP Vandal-Proof Secured Top
- ___ -45 45° Side Outlet Body

REV.	DATE: 12/22/03	C.N. NO. 91816
DWG. NO. P-15025	PRODUCT NO. Z182-75	

*REGULARLY FURNISHED UNLESS OTHERWISE SPECIFIED