



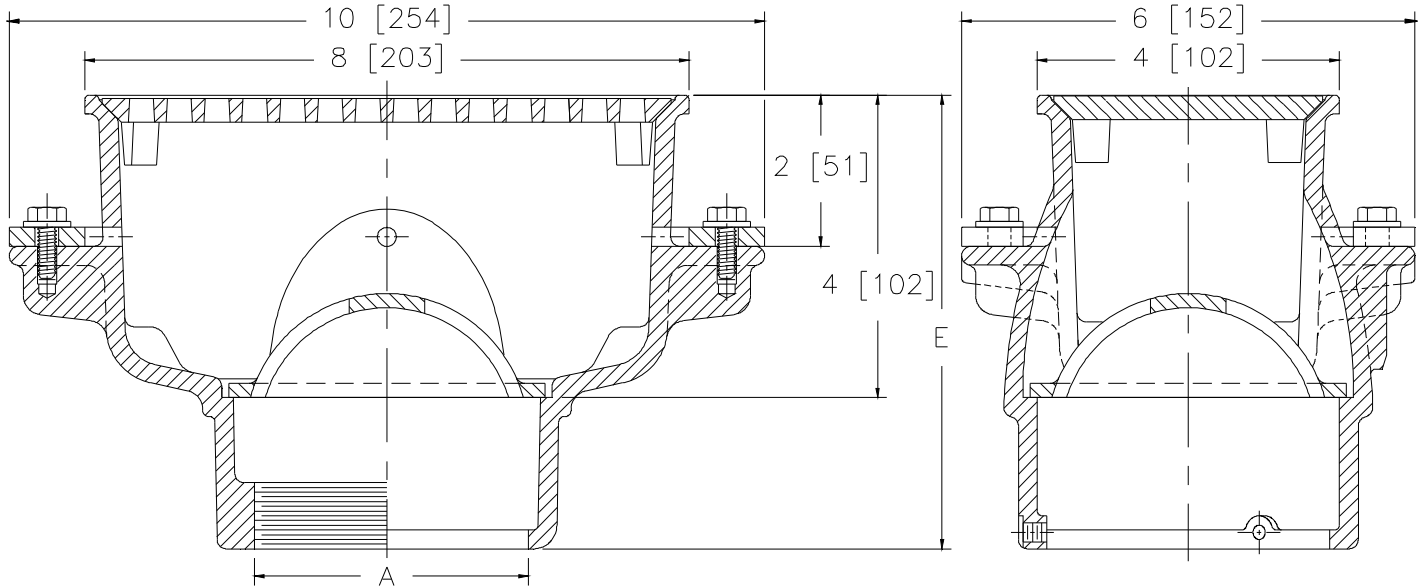
# Z1930-KC

8 X 4 [203 X 102] A.R.C. SANI-FLOR RECEPTOR, 4 [102]  
SUMP DEPTH, ANCHOR FLANGE W/ SEEPAGE HOLES  
AND CLAMP COLLAR

SPECIFICATION SHEET

TAG \_\_\_\_\_

Dimensional Data (inches and [ mm ]) are Subject to Manufacturing Tolerances and Change Without Notice



A Pipe Size In. [mm]	Approx. Wt. Lbs. [kg]	Grate Open Area Sq. In. [cm <sup>2</sup> ]
2,3 [51,76]	12 [5]	7.5 [48]

**ENGINEERING SPECIFICATION: ZURN Z1930-KC**

Sani-Flor Receptor 8" x 4" x 4" [203mm x 102mm x 102mm] deep cast iron body with seepage holes, clamping collar and rectangular square hole light duty grate, with white acid resisting epoxy coated interior and top, and white ABS anti-splash interior bottom dome strainer.

**OPTIONS** (Check/specify appropriate options)

**PIPE SIZE**

(Specify size/type) **OUTLET**

**E BODY HT. DIMENSION**

- 3 [76]
- 2, 3 [51, 76]
- 2, 3 [51, 76]

- \_\_\_ IC Inside Caulk
- \_\_\_ IP Threaded
- \_\_\_ NL Neo-Loc

- | Z             | ZN           |
|---------------|--------------|
| 6 [152]       | 6-3/8 [162]  |
| 6 [152]       | 6-3/8 [162]  |
| 5-13/16 [148] | 6-3/16 [157] |

**PREFIXES**

- \_\_\_ Z Cast Iron Body with White A.R.C. Interior\*
- \_\_\_ ZN Cast Iron Body with White A.R.C. Interior, 8-3/4 x 4-3/4 [222 x 121] Nickel Bronze Frame and Full Grate with 1/4 [6] Square Openings

**SUFFIXES**

- |         |  |         |   |
|---------|--|---------|---|
| ___ -LD | Less Internal Bottom Dome Strainer                             | ___ -8  | Grate w/ 8-7/8 x 3-5/8 x 3-3/4 [225 x 92 x 95] High Oval Funnel |
| ___ -P  | 1/2 [13] Trap Primer Connection                                | ___ -11 | Vandal Proof Secured Grate                                      |
| ___ -S  | Secondary Strainer   | ___ -15 | Solid Loose Set Cover   |
| ___ -TC | Neo-Loc Test Cap Gasket<br>(2,3 [51,76] NL Bottom Outlet Only) | ___ -23 | Stainless Steel Bucket  |
| ___ -1  | Less Grate   | ___ -25 | White A.R.C. Bucket   |
| ___ -2  | 1/2 Grate  | ___ -31 | Stainless Steel Mesh Liner for Bucket                           |
| ___ -3  | 3/4 Grate  | ___ -32 | Aluminum Dome Strainer  |
| ___ -4  | Full Grate w/ 2 [51] Square Center Opening                     | ___ -33 | White A.R.C. Anti-Splash Bottom Dome Strainer                   |
| ___ -6  | Grate w/ 6 Diameter x 6 [152 x 152] High Funnel                |         |   |

\* Regularly furnished unless otherwise specified.