



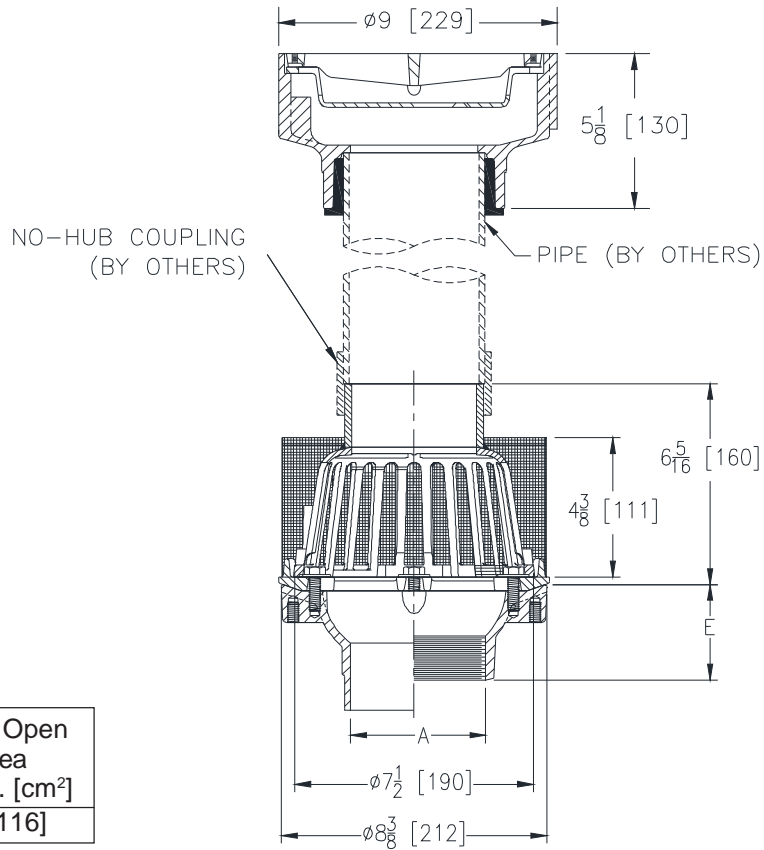
Z125-126

8-3/8 [213] DIAMETER ROOF DRAIN WITH NO-HUB STANDPIPE & Z551 UPPER ASSEMBLY

SPECIFICATION SHEET

TAG _____

Dimensional Data (inches and [mm]) are Subject to Manufacturing Tolerances and Change Without Notice



A Pipe Size In. [mm]	Approx. Wt. Lbs. [kg]	Grate Open Area Sq. In. [cm ²]
2,3,4 [51,76,102]	62 [28]	18 [116]

ENGINEERING SPECIFICATION: ZURN Z125-126

8-3/8" [213mm] Diameter roof drain, Dura-Coated cast iron body with combination membrane flashing clamp/gravel guard, low silhouette Poly-Dome with no-hub standpipe and stainless steel mesh screen. Upper assembly is 9" [229mm] diameter top drain, Dura-Coated cast iron body with bottom outlet, and medium-duty slotted grate, and sediment bucket.

OPTIONS (Check/specify appropriate options)

PIPE SIZE	(Specify size/type)	OUTLET	'E' BODY HT. DIM.
2,3,4 [51,76,102]	_____	IC Inside Caulk	3-7/8 [98]
2 [51]	_____	IP Threaded	2-7/16 [62]
3 [76]	_____	IP Threaded	2-3/4 [70]
4 [102]	_____	IP Threaded	3 [76]
2,3,4 [51,76,102]	_____	NH No-Hub	4 [102]
2,3,4 [51,76,102]	_____	NL Neo-Loc	3-13/16 [97]

PREFIXES

_____ ZC D.C.C.I. Body with Low Silhouette Cast Iron Dome (4-1/4 [108] Dome Height)*

SUFFIXES

_____ -AR	Acid Resistant Epoxy Coated	_____ -EB	Top-Set® Adjustable Extension Assembly
_____ -BS	Bronze Mesh Screen Over Dome	_____ -G	Galvanized Cast Iron
_____ -C	Underdeck Clamp	_____ -R	Roof Sump Receiver
_____ -DP	Top-Set® Deck Plate (Replaces both the -C and -R)	_____ -VP	Vandal-Proof Secured Top

* Regularly furnished unless otherwise specified.