



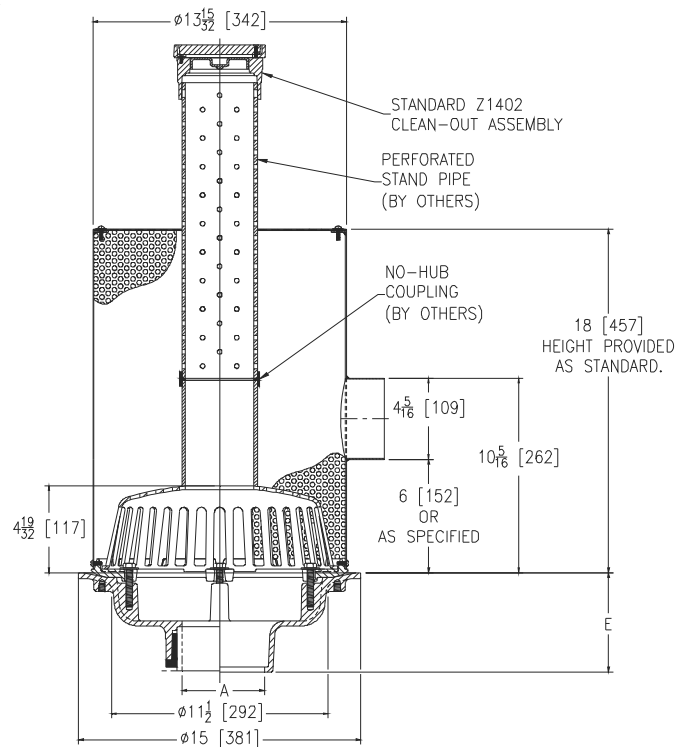
# Z110-81

Ø15 [381] MAIN GREEN ROOF DRAIN W/ PERFORATED SCREEN ASS'Y, 4 [102] AUXILIARY INLET, 4 [102] NO-HUB STANDPIPE, AND Z1402 UPPER CLEANOUT

SPECIFICATION SHEET

TAG \_\_\_\_\_

Dimensional Data (inches and [ mm ]) are Subject to Manufacturing Tolerances and Change Without Notice



A Pipe Size In. [mm]	Approx. Wt. Lbs. [kg]	Dome Open Area Sq. In. [cm <sup>2</sup> ]
6 [152]	32 [15]	103 [665]
8 [203]	33 [15]	

### ENGINEERING SPECIFICATION: ZURN Z110-81

Ø15" [381mm] Green Roof Drain. Dura-Coated cast iron body with combination membrane flashing clamp/gravel guard and low silhouette Cast Iron Dome. Complete with secured type 304 (CF8) stainless steel perforated screen assembly with 4" [102mm] auxiliary inlet, 4" [102mm] No-Hub standpipe (By others) and Z1402 cleanout assembly.

### OPTIONS (Check/specify appropriate options)

#### PIPE SIZE

- 6 [152]
- 6,8 [152,203]
- 6,8 [152,203]
- 6 [152]

#### (Specify size/type) OUTLET

- \_\_\_\_\_ IC Inside Caulk
- \_\_\_\_\_ IP Threaded
- \_\_\_\_\_ NH No-Hub
- \_\_\_\_\_ NL Neo-Loc

#### E BODY HT. DIM.

- 5-1/4 [133]
- 3-3/4 [95]
- 5-1/4 [133]
- 5-7/16 [112]

#### PREFIXES

- \_\_\_\_\_ ZC D.C.C.I. Body with Cast Iron Dome

#### SUFFIXES

- |           |   |           |  |
|-----------|---|-----------|--|
| _____ -AC | Angular Underdeck Clamp                                     | _____ -EB | Top-Set® Adjustable Extension Assembly |
| _____ -AR | Acid Resistant Epoxy Coated                                 | _____ -G  | Galvanized Cast Iron Dome (ZC Only)    |
| _____ -C  | Underdeck Clamp   | _____ -R  | Roof Sump Receiver                     |
| _____ -DE | Deck Extension  | _____ -VP | Vandal-Proof Secured Screen Cover      |
| _____ -DP | Top-Set® Deck Plate (Replaces both the -C and -R)           | _____ -W2 | 2 [51] Internal Water Dam              |
| _____ -E  | Static Extension 1 [25] thru 4 [102] (Specify Ht.)          | _____ -W3 | 3 [76] Internal Water Dam              |
| _____ -EA | Adjustable Extension Assembly<br>2-1/8 [54] thru 3-1/2 [89] | _____ -W4 | 4 [102] Internal Water Dam             |
|           |   | _____ -85 | Stainless Steel Perforated Extension   |

\* Regularly furnished unless otherwise specified.