



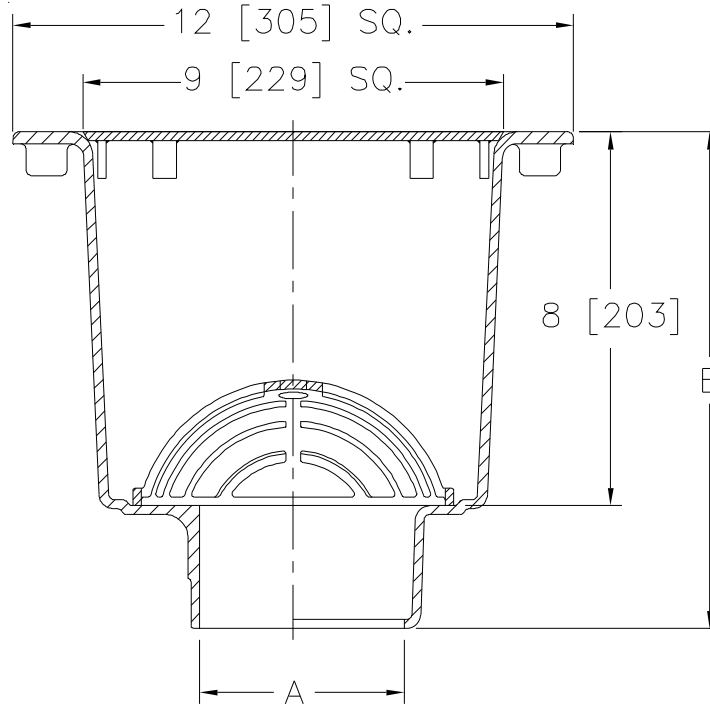
Z1901-15

12 X 12 [305 X 305] A.R.E. SANI-FLOR RECEPTOR
8 [203] SUMP DEPTH W/ SOLID LOOSE SET COVER

SPECIFICATION SHEET

TAG _____

Dimensional Data (inches and [mm]) are Subject to Manufacturing Tolerances and Change Without Notice



A- Pipe Size In. [mm]	Approx. Wt. Lbs. [kg]
2, 3, 4 [51, 76, 102]	34 [15]

ENGINEERING SPECIFICATION: ZURN Z1901-15

Sani-Flor Receptor 12" x 12" x 8" [305mm x 305mm x 203mm] deep cast iron body and solid loose set cover, with white acid resisting porcelain enamel interior and top, black ground enamel exterior coating, and white ABS anti-splash interior bottom dome strainer.

OPTIONS (Check/specify appropriate options)

PIPE SIZE

- 3, 4 [76, 102]
- 2, 3, 4 [51, 76, 102]
- 2, 3, 4 [51, 76, 102]

(Specify size/type) **OUTLET**

- ___ IC Inside Caulk
- ___ NH No-Hub
- ___ NL Neo-Loc

'E' BODY HT. DIMENSION

Z	ZN
10-5/8 [270]	11-1/8 [283]
10-5/8 [270]	11-1/8 [283]
10 [254]	10-1/2 [267]

PREFIXES

- ___ Z Cast Iron Body with White A.R.E. Interior*
- ___ ZN Cast Iron Body with White A.R.E. Interior, 12-1/2 [318] Square Nickel Bronze Frame and Solid Loose Set Cover

SUFFIXES

- | | |
|---|---|
| ___ -DX Dex-O-Tex Flange (ZN Only) | ___ -11 Vandal-Proof Secured Grate (ZN Only) |
| ___ -K Anchor Flange With Seepage Holes | ___ -23 Aluminum Bucket |
| ___ -KC Anchor Flange With Seepage Holes and Clamp Collar | ___ -25 White A.R.C. Bucket |
| ___ -LD (Less) Bottom Dome Strainer | ___ -31 Stainless Steel Mesh Liner for Bucket |
| ___ -P 1/2 [13] Trap Primer Connection (See Z-1023) | ___ -32 Aluminum Dome Strainer |
| ___ -TC Neo-Loc Test Cap Gasket | ___ -33 White A.R.C. Anti-Splash Bottom Dome Strainer |
| ___ -VPS Vandal-Proof Strainer | |

* Regularly furnished unless otherwise specified.