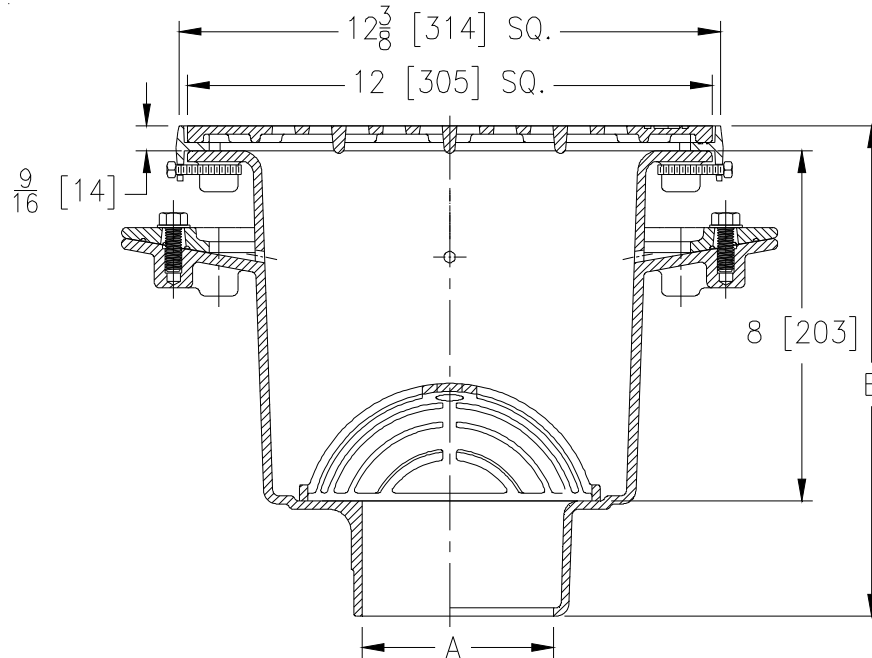




# ZN1901-KC

12-3/8 X 12-3/8 [314 X 314] A.R.E. SANI-FLOR RECEPTOR SPECIFICATION SHEET  
 W/ 8 [203] SUMP DEPTH, NICKEL BRONZE FRAME AND TAG \_\_\_\_\_  
 GRATE, AND ANCHOR FLANGE WITH CLAMP COLLAR

Dimensional Data (inches and [ mm ]) are Subject to Manufacturing Tolerances and Change Without Notice



A- Pipe Size In. [mm]	Approx. Wt. Lbs. [kg]	Grate Open Area Sq. In. [cm <sup>2</sup> ]
2, 3, 4 [51, 76, 102]	34 [335]	44 [284]

**ENGINEERING SPECIFICATION: ZURN ZN1901-KC**  
 Sani-Flor Receptor 12-3/8" x 12-3/8" x 8" [314mm x 314mm x 203mm] deep cast iron body with white acid resisting porcelain enamel interior, black ground enamel exterior coating, with nickel bronze frame and grate, complete with white ABS anti-splash interior bottom dome strainer and anchor flange and clamp collar.

**OPTIONS** (Check/specify appropriate options)

**PIPE SIZE**

- 3, 4 [76, 102]
- 2, 3, 4 [51, 76, 102]
- 2, 3, 4 [51, 76, 102]

(Specify size/type) **OUTLET**

- \_\_\_ IC Inside Caulk
- \_\_\_ NH No-Hub
- \_\_\_ NL Neo-Loc

**'E' DIMENSION**

- 11-1/8 [283]
- 11-1/8 [283]
- 10-1/2 [267]

**PREFIXES**

- \_\_\_ ZN Cast Iron Body with White A.R.E. Interior, 12-3/8 [314] Square Nickel Bronze Frame and Full Grate with 1/2 [13] Square Openings.\*

**SUFFIXES**

- |  |  |
|--|--|
| ___ -DX Dex-O-Tex Flange   | ___ -6 Grate w/ 6 [152] Diameter x 6 [152] High Funnel                 |
| ___ -HP Heel-Proof Grate   | ___ -8 Grate w/ 8-7/8 x 3-5/8 x 3-3/4 [225 x 92 x 95] High Oval Funnel |
| ___ -LD Less Bottom Dome Strainer  | ___ -11 Vandal-Proof Secured Top                                       |
| ___ -P 1/2 [13] Trap Primer Connection (See Z1023)                               | ___ -15 Solid Cover  |
| ___ -SA Stabilizer Assembly (See Z1903)  | ___ -19 Full-Hinged Grate  |
| ___ -TC Neo-Loc Test Cap Gasket<br>(2, 3, 4 [51, 76, 102] NL Bottom Outlet Only) | ___ -23 Aluminum Bucket  |
| ___ -VPS Vandal-Proof Strainer   | ___ -25 White A.R.C. Bucket  |
| ___ -1 Less Grate  | ___ -31 Stainless Steel Mesh Liner for Bucket                          |
| ___ -2 1/2 Grate   | ___ -32 Aluminum Dome Strainer   |
| ___ -3 3/4 Grate   | ___ -33 White A.R.C. Anti-Splash Bottom Dome Strainer                  |
| ___ -4 Full-Grate w/ 3-1/32 [77] Square Center Opening                           |  |

\* Regularly furnished unless otherwise specified.