



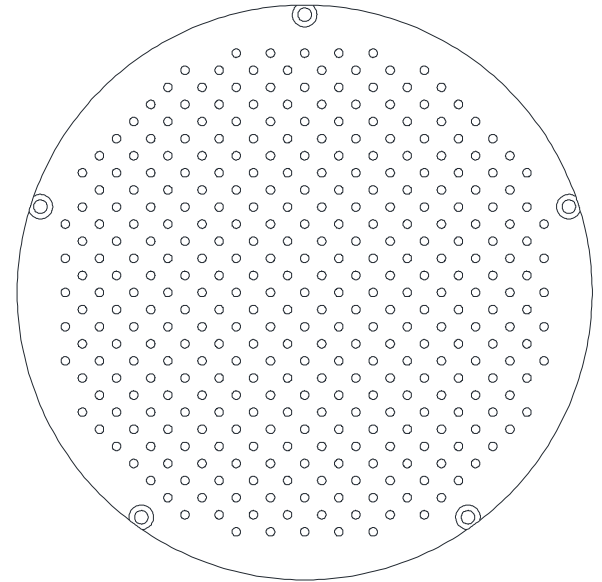
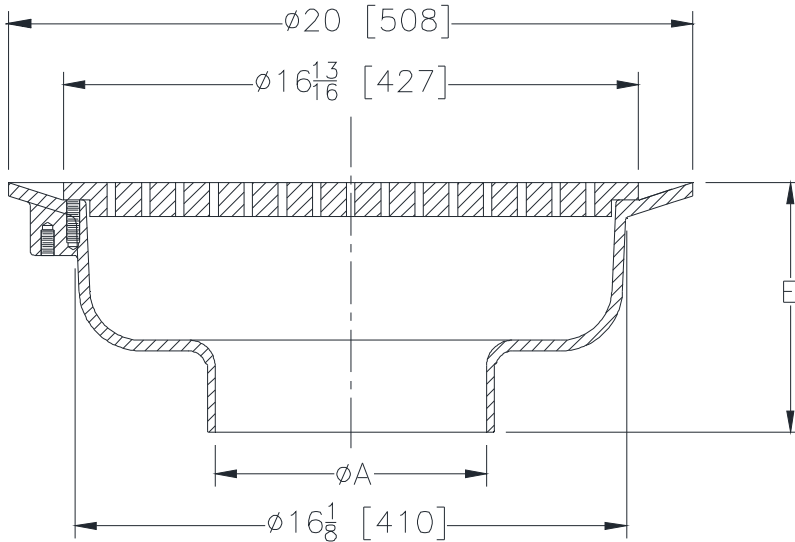
Z101-102

20 [508] DIAMETER MAIN ROOF DRAIN WITH STAINLESS STEEL FLUSH GRATE

SPECIFICATION SHEET

TAG _____

Dimensional Data (inches and [mm]) are Subject to Manufacturing Tolerances and Change Without Notice



A - Pipe Size In [mm]	Approx. Wt. Lbs [kg]	Grate Open Area Sq. In. [cm ²]
8 [203]	93 [42]	17 [110]
10 [245]	95 [43]	
12 [305]	97 [44]	

ENGINEERING SPECIFICATION: ZURN Z101-102
 20" [508mm] Diameter roof drain. Dura-Coated cast iron body with Heavy-Duty Stainless Steel Flush Grate.

PIPE SIZE
 8, 10, 12 [203, 254, 305]

(Specify size) **OUTLET**
 _____ NH No-Hub

'E' BODY HT. DIM.
 7-5/16 [185]

PREFIXES
 _____ Z D.C.C.I. Body with Stainless Steel Flush Grate*

SUFFIXES
 _____ -AR Acid Resistant Epoxy Coated
 _____ -DP Top-Set Roof Deck Plate (Replaces both the -C and -R)
 _____ -EB Top-Set Adjustable Extension Assembly

* Regularly furnished unless otherwise specified.