



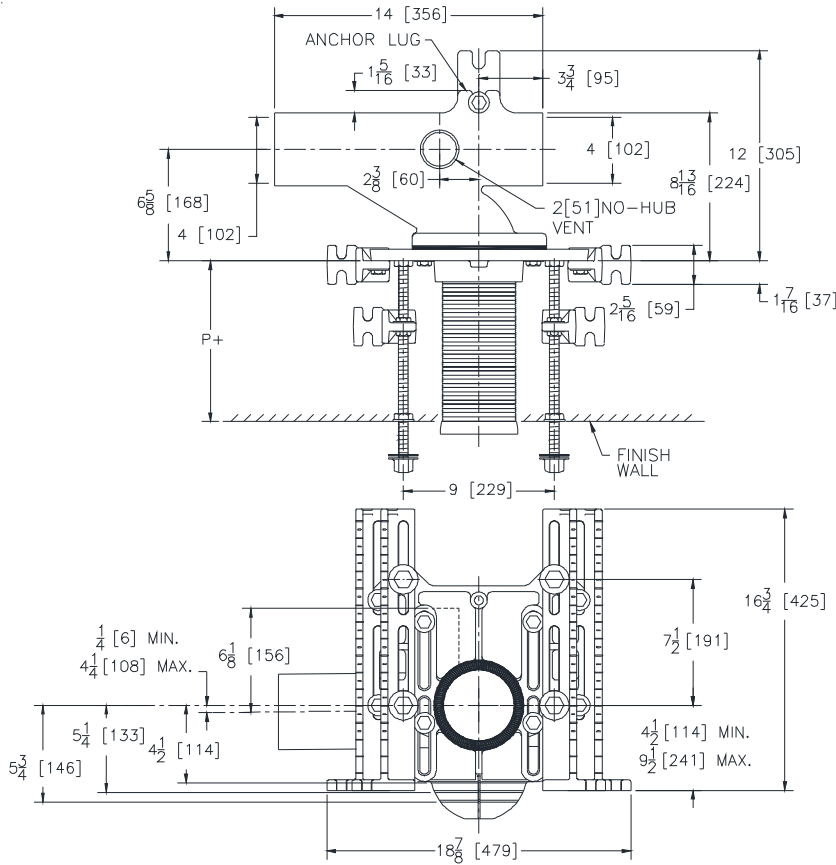
Z1203-N4-M

ADJUSTABLE HORIZONTAL SIPHON JET NO-HUB W/AUXILIARY FOOT SUPPORT

SPECIFICATION SHEET

TAG _____

Dimensional Data (inches and [mm]) are Subject to Manufacturing Tolerances and Change Without Notice



Product Number	Approx. Wt. Lbs. [kg]
Z1203-NL4-M	67 [30]
Z1203-NR4-M	

Note:

- +1. Auxiliary foot support for 'P' Dim. 10 - 18 [25 - 457]
- 2. Feet bolted to floor using min. 1/2 [13] dia. bolts and back slots on carrier feet.
- 3. Back anchor foot required for secure installation.

ENGINEERING SPECIFICATION: ZURN Z1203-N4-M ()

Adjustable, horizontal siphon jet water closet "Rigid System" with 4" [102mm] No-Hub connections. Complete with Dura-Coated cast iron right hand or left hand main fitting, with 2" [51mm] vent, adjustable gasketed face plate, universal floor mounted foot supports, auxiliary foot support, corrosion resistant adjustable ABS coupling with integral test cap, fixture bolts, trim, stud protectors, rear anchor tie down and bonded "Neo-Seal" gasket.

OPTIONS (Check/specify appropriate options)

- _____ Z1203-NR4-M 4 [102] No-Hub Right Hand Inlet with Flow to Left
- _____ Z1203-NL4-M 4 [102] No-Hub Left Hand Inlet with Flow to Right

PREFIXES

- _____ Z D.C.C.I. System with Zurn "ZZ" Adjustable Coupling*
- _____ ZQ D.C.C.I. System with Non-Adjustable Coupling

SUFFIXES

- _____ -B Blowout Type Fixture Support
- _____ -CL Coupling Length Other Than Standard 6 [152] (Specify Length Required)
- _____ -VP Vandal Proof Trim
- _____ -45 Finishing Frame for Siphon Jet System (See Z1200-FINFRAME-SJ)
- _____ -50 Flush Valve Supply Support for Water Closets (See Z1200-SPLY-SPRT-WC)

* Regularly furnished unless otherwise specified.