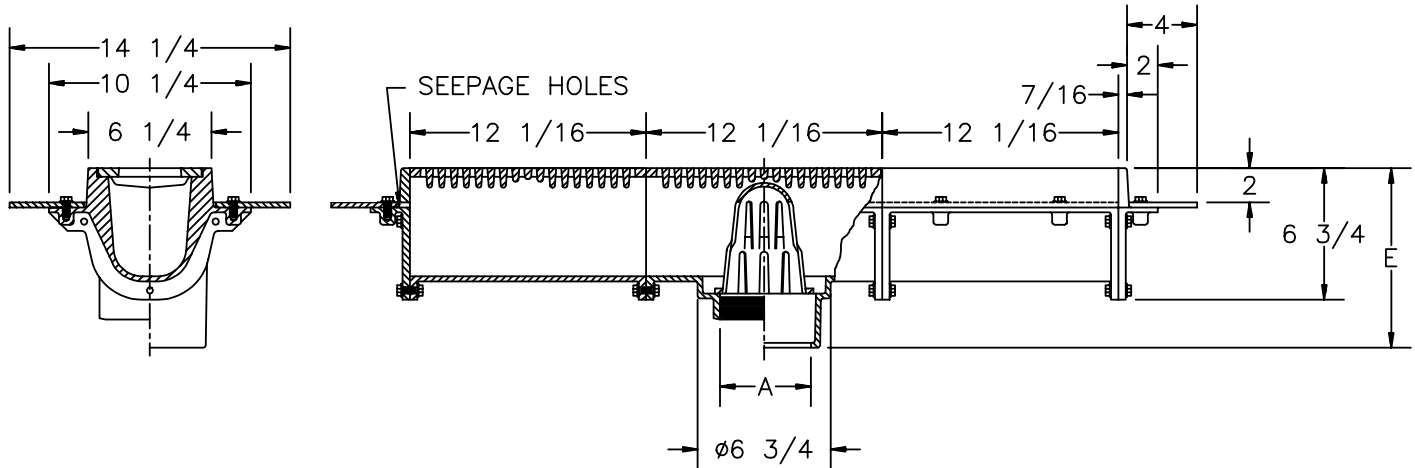




**Z-664-81
6" WIDE MODULAR TRENCH DRAIN
EXTRA HEAVY DUTY**

TAG _____

Dimensional Data (inches and [mm]) are Subject to Manufacturing Tolerances and Change Without Notice



A- Pipe Size In.	Approx. Wt. Lbs.	Grate Open Area Sq. In.
2-3-4	35	15

ENGINEERING SPECIFICATION: ZURN Z-664-81 6" Wide Top modular trench drain. Dura-Coated cast iron drain section with bottom outlet and secondary dome strainer. Both 12" long drain module and 12" long extension module are complete with integral seepage pan, loose extra heavy duty slotted grate and bolt on flange (length as req'd.).

OPTIONS (Check/specify appropriate options)

OUTLET (Specify type)

- _____ **IC** Inside Caulk
- _____ **IG** Inside Caulk w/Sealtrol Gskt.
- _____ **IP** Thread
- _____ **NH** No-Hub
- _____ **NL** Neo-Loc

PIPE SIZE (Specify size)

- _____ 2" thru 4"
- _____ 2", 3", 4"
- _____ 2" thru 4"
- _____ (IPS w/Z-1040-1)
- _____ 2" thru 4"

'E' BODY HT. DIMENSION

- _____ 9-1/8"
- _____ 9-1/8"
- _____ 7-5/8"
- _____ 8-3/8"

PREFIXES

- _____ **Z-** D.C.C.I. Body and Grate*
- _____ **ZB-** D.C.C.I. Body with Polished Bronze Grate (Add 1/8 to "E" Dim.)
- _____ **ZN-** D.C.C.I. Body with Polished Nickel Bronze Grate (Add 1/8 to "E" Dim.)

SUFFIXES

- _____ **-AR** Acid Resisting Epoxy Coated Finish (Per Section)
- _____ **-DG** Duresist Grate (Per Section)
- _____ **-ES** 12" Extension Sections (Specify Number of Sections Req'd.)
- _____ **-G** Galvanized Cast Iron (Per Section)
- _____ **-M** Side Outlet Adapter Via End Plate
- _____ **-V** Backwater Valve (See Z-1099)
- _____ **-VP** Vandal Proof Secured Top (Per Section)

*REGULARLY FURNISHED UNLESS OTHERWISE SPECIFIED

REV.	DATE: 8/18/94	C.N. NO. 69963
DWG. NO. P-14022 PRODUCT NO. Z-664-81		