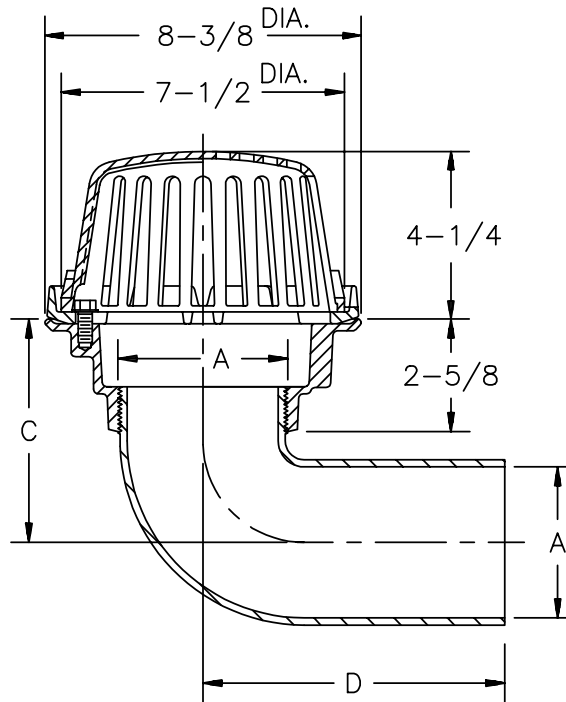




Z-125-80 8" DIAMETER ROOF DRAIN WITH ELBOW ADAPTER

TAG _____

Dimensions Subject to Manufacturing Tolerances



Dimensions In Inches			Approx. Wt. Lbs.	Dome Open Area Sq. In.
A-Pipe Size	C	D		
2	4-1/2	6	19	43
3	5-1/2	7	22	
4	5-3/4	8	28	

ENGINEERING SPECIFICATION: ZURN Z-125-80 8" Diameter roof drain, Dura-Coated cast iron body with combination membrane flashing clamp/gravel guard, low silhouette cast iron dome and elbow adapter with male thread and No-Hub connections.

OPTIONS (Check/specify appropriate options)

OUTLET

_____ IP Threaded

PIPE SIZE (Specify size)

_____ 2", 3", 4"

PREFIXES

_____ **Z-** D.C.C.I. Body with Dome*
 _____ **ZRB-** D.C.C.I. Body with Plain Bronze Dome

SUFFIXES

_____ **-BS** Bronze Mesh Screen Over Dome
 _____ **-C** Underdeck Clamp
 _____ **-E** Static Extension 1" thru 4" (Specify Height)
 _____ **-G** Galvanized Cast Iron
 _____ **-R** Roof Sump Receiver
 _____ **-S** Secondary Clamp Collar
 _____ **-SS** Stainless Mesh Screen Over Dome
 _____ **-VP** Vandal Proof Secured Top
 _____ **-84** Stainless Steel Perforated Gravel Guard
 _____ **-85** Stainless Steel Perforated Extension
 _____ **-89** 2" High External Water Dam

REV. A DATE: 3/18/92 C.N. NO. 68174
DWG. NO. P-13667 PRODUCT NO. Z-125-80

*REGULARLY FURNISHED UNLESS OTHERWISE SPECIFIED