



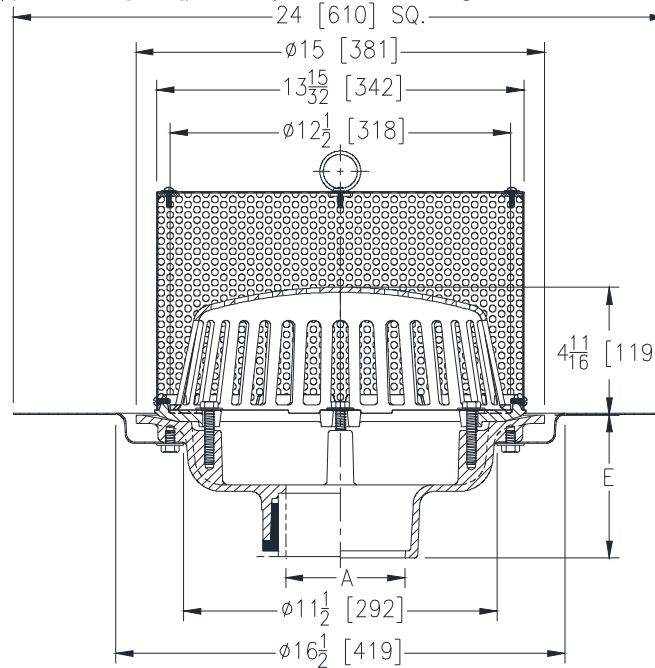
Z110-DP

15 [381 DIAMETER MAIN GREEN ROOF DRAIN W/
PERFORATED SCREEN ASSEMBLY, REMOVABLE
COVER W/ LIFT HANDLE AND TOP-SET DECK PLATE

SPECIFICATION SHEET

TAG _____

Dimensional Data (inches and [mm]) are Subject to Manufacturing Tolerances and Change Without Notice



A Pipe Size In [mm]	Approx Wt. Lbs [kg]	Dome Open Area In ² [cm ²]
2,3,4 [51,76,102]	36 [16]	103 [665]
6 [152]	37 [17]	
8 [203]	38 [17]	

ENGINEERING SPECIFICATION: ZURN Z110-DP

15" [381mm] Diameter green roof drain. Dura-Coated cast iron body with combination membrane flashing clamp/gravel guard, Top-Set® deck plate, and low silhouette Poly-Dome. Complete with secured Type 304 (CF8) Stainless Steel perforated screen assembly with secured removable access cover with lift handle.

OPTIONS (Check/specify appropriate options)

PIPE SIZE

- 3,4,6 [76,102,152]
- 2,3,4,6, 8 [51,76,102,152,203]
- 2,3,4,6, 8 [51,76,102,152,203]
- 2,3,4 [51,76,102]
- 6 [152]

(Specify size/type) OUTLET

- _____ IC Inside Caulk
- _____ IP Threaded
- _____ NH No-Hub
- _____ NL Neo-Loc
- _____ NL Neo-Loc

'E' BODY HT. DIM.

- 5-1/4 [133]
- 3-3/4 [95]
- 5-1/4 [133]
- 4-5/8 [117]
- 5-7/16 [138]

PREFIXES

- _____ Z D.C.C.I. Body with Poly-Dome*
- _____ ZA D.C.C.I. Body with Aluminum Dome
- _____ ZC D.C.C.I. Body with Cast Iron Dome

SUFFIXES

- _____ -AR Acid Resistant Epoxy Coated
- _____ -E Static Extension 1 [25] thru 4 [102] (Specify Ht.)
- _____ -EA Adjustable Extension Assembly
2-1/8 [54] thru 3-1/2 [89]
- _____ -G Galvanized Cast Iron
- _____ -SC Secondary Clamping Collar
- _____ -ST Dome w/Solid top (ZA and ZC only)
- _____ -TC Neo-Loc Test Cap Gasket
(2,3,4 [51,76,102] Bottom Outlet Only)
- _____ -VP Vandal Proof Secured Top
- _____ -W2 2 [51] Internal Water Dam
- _____ -W3 3 [76] Internal Water Dam
- _____ -W4 4 [102] Internal Water Dam
- _____ -85 Stainless Steel Perforated Extension

* Regularly furnished unless otherwise specified.