



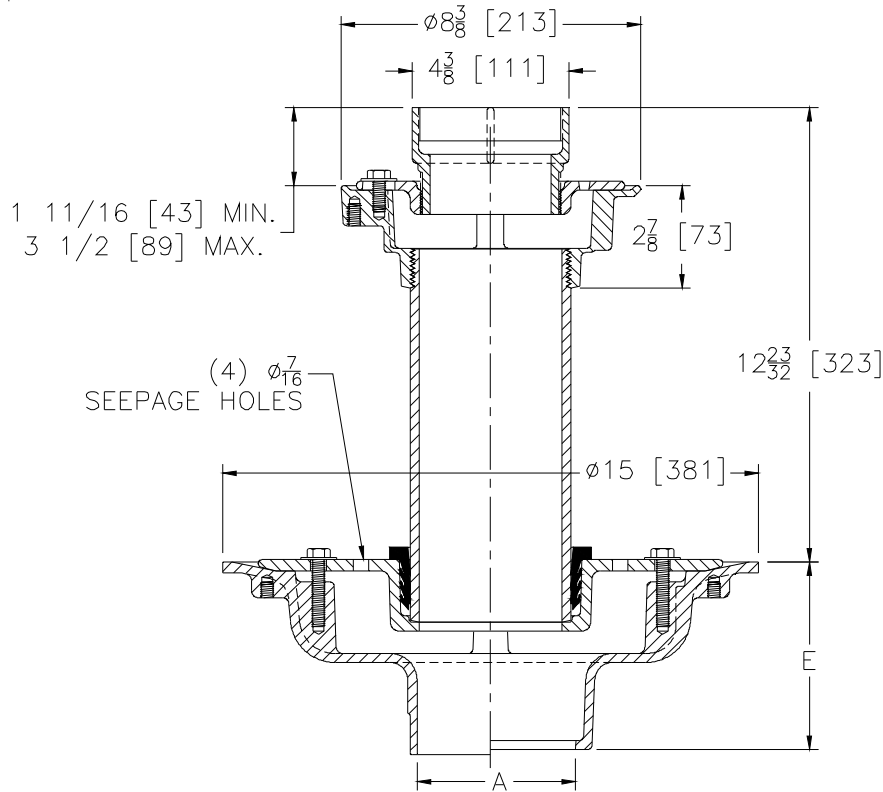
Z625-99

ISOLATION DECK ADJUSTABLE DRAIN WITH 10 7/16 [265] HIGH ISOLATION NIPPLE & HUB DRAIN

SPECIFICATION SHEET

TAG _____

Dimensional Data (inches and [mm]) are Subject to Manufacturing Tolerances and Change Without Notice



A	Approx. Wt. Lbs.
2, 3, 4 [51, 76, 102]	54 [24]
5, 6 [127, 152]	52 [24]
8 [203]	55 [25]

ENGINEERING SPECIFICATION: ZURN ZN625-99

Adjustable isolation deck drain, Dura-Coated cast iron upper and lower bodies, upper and lower clamp collars, neoprene flex gasket, 10 7/16 [265] high isolation nipple and adjustable cast iron hub drain.

OPTIONS (Check/specify appropriate options)

PIPE SIZE

- 2 thru 6, 8 [51 thru 152, 203]
- 2 thru 6, 8 [51 thru 152, 203]
- 2 thru 6, 8 [51 thru 152, 203]
- 2, 4 [51, 76, 102]
- 6 [152]

(Specify size/type) **OUTLET**

- _____ IC Inside Caulk
- _____ IP Threaded
- _____ NH No-Hub
- _____ NL Neo-Loc
- _____ NL Neo-Loc

E BODY HT. DIM.

- 5 1/4 [133]
- 3 3/4 [95]
- 5 1/4 [133]
- 4 9/16 [116]
- 5 7/16 [112]

PREFIXES

- _____ Z D.C.C.I. Body and Hub Drain

SUFFIXES

- _____ -C Underdeck Clamp (Lower Body)
- _____ -G Galvanized Cast Iron
- _____ -R Sump Receiver (Lower Body)

REV.	DATE: 06/21/10	C.N. NO. 111290
DWG. NO. 301009		PRODUCT NO. Z625-99

*REGULARLY FURNISHED UNLESS OTHERWISE SPECIFIED