



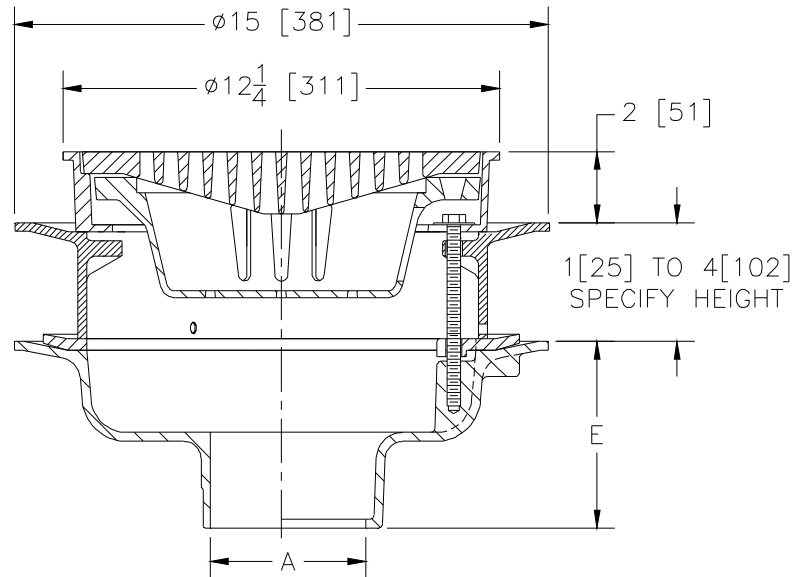
# Z541-135

## 12 [305] DIAMETER HEAVY-DUTY DRAIN W/ STATIC EXTENSION

SPECIFICATION SHEET

TAG \_\_\_\_\_

Dimensional Data (inches and [ mm ]) are Subject to Manufacturing Tolerances and Change Without Notice



A- Pipe Size In. [mm]	Approx. Wt. Lbs. [kg]	Grate Open Area Sq. In. [cm <sup>2</sup> ]
2,3,4,5,6 [51,76,102,127,152]	52 [24]	29 [187]
8 [203]	54 [24]	

### ENGINEERING SPECIFICATION: ZURN Z541-135

12" [305mm] Diameter top drain. Dura-Coated cast iron body with bottom outlet, seepage pan, perforated static extension and combination membrane flashing clamp and frame for anti-tilt heavy-duty slotted grate with suspended sediment bucket.

### OPTIONS (Check/specify appropriate options)

#### PIPE SIZE

(Specify size/type) **OUTLET**

#### 'E' BODY HT. DIM.

2,3,4,5,6,8, 10 [51,76,102,127,152,203,254]	___ IC	Inside Caulk	5 1/4 [133]
2,3,4,5,6,8, 10 [51,76,102,127,152,203,254]	___ IG	Inside Caulk w/Sealtrol Gskt.	5 1/4 [133]
2,3,4,5,6,8, 10 [51,76,102,127,152,203,254]	___ IP	Threaded	3 3/4 [95]
2,3,4,5,6,8, 10 [51,76,102,127,152,203,254]	___ NH	No-Hub	5 1/4 [133]
2,3,4 [51,76,102]	___ NL	Neo-Loc	4 5/8 [117]

#### PREFIXES

___ Z	D.C.C.I. Body and Grate*
___ ZB	D.C.C.I. Body with Polished Bronze Grate (Add 3/16 [5] to 2 [51] Dim.)
___ ZN	D.C.C.I. Body with Polished Nickel Bronze Grate (Add 3/16 [5] to 2 [51] Dim.)

#### SUFFIXES

___ -AR	Acid Resisting Epoxy Coated Cast Iron	___ -SS	Stainless Mesh Liner for Bucket
___ -DG	Duresist Grate	___ -TC	Neo-Loc Test Cap Gasket (2,3,4 [51,76,102] NL Bottom Outlet Only)
___ -DX	Dex-o-tex Flange (See Z-532)	___ -TG	Tractor Grate
___ -G	Galvanized Cast Iron	___ -TS	Top Secured with Slotted Screws
___ -H	Hinged Grate	___ -V	Backwater Valve (See Z-1099)
___ -HP	Heel-Proof Grate	___ -VP	Vandal Proof Secured Top
___ -LY	(Less) Sediment Bucket	___ -WS	Wide Slotted Grate (50 sq. in open)
___ -P	Trap Primer Connection	___ -YC	Cast Iron Sediment Bucket
___ -S	Secondary Strainer	___ -90	90° Threaded Side Outlet Body (2,3,4,6 [51,76,102,152])
___ -SA	Stabilizer Assembly (See Z1036)		

\* Regularly furnished unless otherwise specified.