



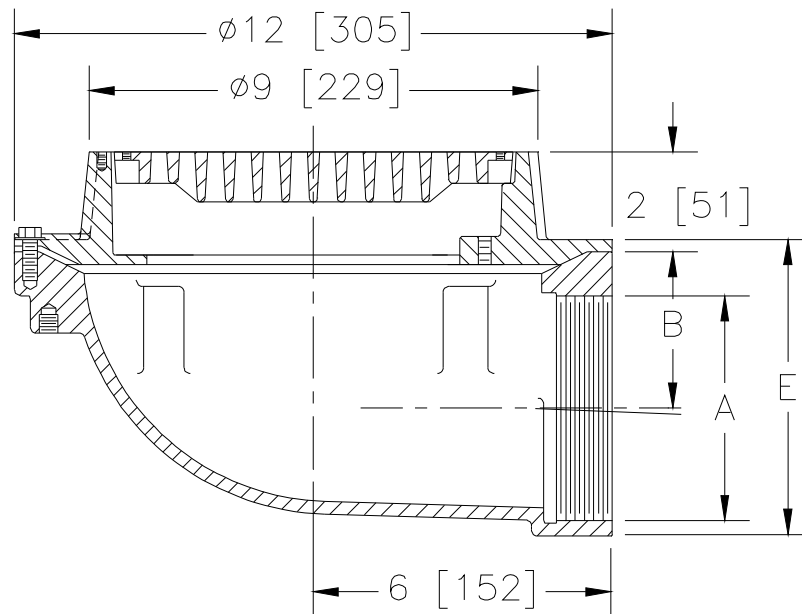
Z550-90

9 [229] DIAMETER MEDIUM
DUTY DRAIN W/ SIDE OUTLET

SPECIFICATION SHEET

TAG _____

Dimensional Data (inches and [mm]) are Subject to Manufacturing Tolerances and Change Without Notice



A- Pipe Size In.[mm]	B Dim. In.[mm]	Approx. Wt. Lbs.[kg]	Grate Open Area Sq. In.[cm ²]
3 [76]	3-5/8 [92]	38 [18]	18 [116]
4 [102]	3-1/8 [79]	37 [17]	

ENGINEERING SPECIFICATION: ZURN Z550-90
9" [229mm] Diameter top drain, Dura-Coated cast iron body with side outlet, seepage pan and medium duty cast iron anti-tilt slotted grate and combination membrane flashing clamp and frame.

OPTIONS (Check/specify appropriate options)

PIPE SIZE
3,4 [76,102]

OUTLET
____ IP Threaded

'E' BODY HT. DIM.
5-11/16 [144]

PREFIXES

- ____ Z D.C.C.I. Body and Top*
- ____ ZB D.C.C.I Body w/Polished Bronze Top (Add 3/16 [5] to 2 [51] Dim.)
- ____ ZN D.C.C.I Body w/Polished Nickel Bronze Top (Add 3/16 [5] to 2 [51] Dim.)

SUFFIXES

- ____ -AR Acid Resisting Epoxy Coated Interior
- ____ -D Dome Grate
- ____ -DG Duresist Grate
- ____ -G Galvanized Cast Iron
- ____ -P Trap Primer Connection
- ____ -SS Stainless Mesh Liner for Bucket
- ____ -TS Top Secured with Slotted Screws
- ____ -TG Deflector Grate
- ____ -VP Vandal-Proof Secured Top
- ____ -Y Sediment Bucket

* Regularly furnished unless otherwise specified.