



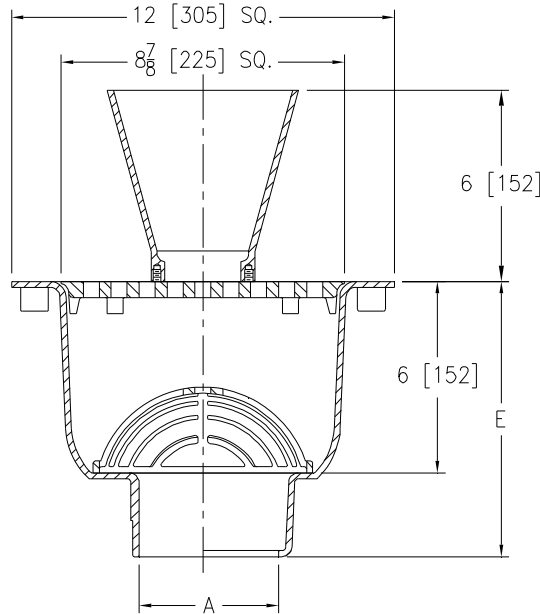
# Z1900-6

SPECIFICATION SHEET

12 x 12 [305 x 305] A.R.E. SANI-FLOR RECEPTOR 6 [152]  
 SUMP DEPTH W/ 6 [152] DIAMETER X 6 [152] HIGH FUNNEL

TAG \_\_\_\_\_

Dimensional Data (inches and [ mm ]) are Subject to Manufacturing Tolerances and Change Without Notice



| A<br>Pipe Size<br>In. [mm] | Approx<br>Wt.<br>Lbs.[kg] | Grate<br>Open Area<br>Sq. In. [cm <sup>2</sup> ] |
|----------------------------|---------------------------|--|
| 2,3,4 [51,76,102]          | 32 [15]                   | 31 [200]   |

### ENGINEERING SPECIFICATION: ZURN Z1900-6

Sani-Flor Receptor 12" x 12" x 6" [305mm x 305mm x 152mm] deep cast iron body and square slotted light duty grate with 6" diameter x 6" [152mm x 152mm] high funnel, with white acid resisting porcelain enamel interior and top, black ground enamel exterior coating, and white ABS anti-splash interior bottom dome strainer.

### OPTIONS (Check/specify appropriate options)

#### PIPE SIZE

- 3,4 [76,102]
- 2,3,4 [51,76,102]
- 2,3,4 [51,76,102]

#### (Specify size/type) OUTLET

- \_\_\_ IC Inside Caulk
- \_\_\_ NH No-Hub
- \_\_\_ NL Neo-Loc

#### 'E' BODY HT. DIMENSION

| Z           | ZN / ZS     |
|-------------|-------------|
| 8-5/8 [219] | 9-1/8 [232] |
| 8-5/8 [219] | 9-1/8 [232] |
| 8 [203]     | 8-1/2 [216] |

### PREFIXES

- \_\_\_ Z Cast Iron Body with White A.R.E. Interior\*
- \_\_\_ ZN Cast Iron Body with White A.R.E. Interior, 12-1/2 [317] Square Nickel Bronze Frame and Full Grate with 1/2 [13] Openings
- \_\_\_ ZS Cast Iron Body with White A.R.E. Interior, 12-1/2 [317] Square Stainless Steel Frame and Full Grate with 1/2 [13] Openings

### SUFFIXES

- \_\_\_ -DX Dex-O-Tex Flange (ZN Only)
- \_\_\_ -HD Stainless Steel Frame w/ Extra Heavy-Duty Stainless Steel Grate (ZS Only)
- \_\_\_ -HP Heel-Proof Grate (ZN Only)
- \_\_\_ -K Anchor Flange with Seepage Holes
- \_\_\_ -KC Anchor Flange with Seepage Holes and Clamp Collar
- \_\_\_ -LD (Less) Bottom Dome Strainer
- \_\_\_ -P 1/2 [13] Trap Primer Connection (See Z1023)
- \_\_\_ -SA Stabilizer Assembly (See Z1903)
- \_\_\_ -TC Neo-Loc Test Cap Gasket (2,3,4 [51,76,102] NL Bottom Outlet Only)
- \_\_\_ -VPS Vandal-Proof Strainer
- \_\_\_ -11 Vandal-Proof Secured Grate (ZN and ZS Only)
- \_\_\_ -23 Aluminum Bucket
- \_\_\_ -25 White A.R.C. Bucket
- \_\_\_ -31 Stainless Steel Mesh Liner for Bucket
- \_\_\_ -32 Aluminum Dome Strainer
- \_\_\_ -33 White A.R.C. Anti-Splash Bottom Dome Strainer

\* Regularly furnished unless otherwise specified.