



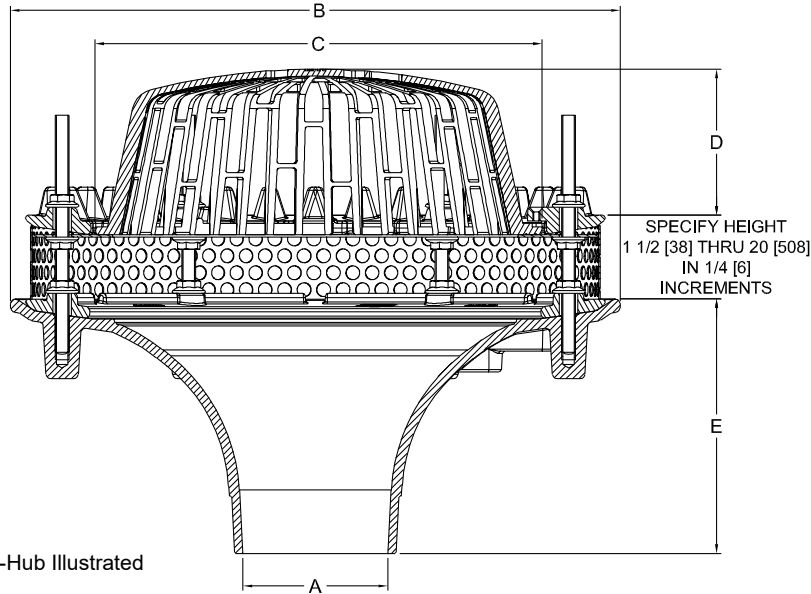
# Z100F-85

FLOFORCE™ HIGH PERFORMANCE ROOF DRAIN  
WITH STAINLESS STEEL PERFORATED EXTENSION  
DESIGNED TO DRIVE EFFICIENT FLOW PERFORMANCE

SPECIFICATION SHEET  
TAG \_\_\_\_\_

Design and Dimensional Data (inches and [ mm ]) are Subject to Manufacturing Tolerances and Change Without Notice

PATENT PENDING



A Outlet Size In. [mm]	B Body Diameter In [mm]	C Dome Diameter In [mm]	D Height, Roof to Dome Top In [mm]	Weight lbs [kg]	Dome Open Area Sq. In. [cm2]
2,3,4 [51,76,102]	16-9/16 [421]	12-5/16 [313]	4 [102]	34 [15]	121 [780]
6,8 [152, 203]	20-3/32 [510]	15-7/8 [403]	6 [152]	47 [21]	214 [1380]

### ENGINEERING SPECIFICATION: ZURN Z100F-85

FLOFORCE™ High efficient flow performing overflow roof drain engineered to evacuate water off of roof structure by incorporating a smooth funnel-shaped interior surface, providing a seamless transition to outlet connection, and eliminating internal obstructions. Complete with Dura-Coated cast iron body with gravel guard, stainless steel perforated extension, secondary membrane clamping collar and low silhouette Poly-Dome. Gravel guard provided to prevent debris from entering the drain while allowing water to immediately pass through at zero head level. Poly-dome designed to maximize effective open area and promote efficient flow. (Refer to Z100F specification sheet for flow curves.)

### OPTIONS (Check/specify appropriate options)

#### PIPE SIZE

- 2, 3, 4 [51, 76, 102]
- 6, 8 [152, 203]
- 2, 3, 4 [51, 76, 102]
- 6 [152]
- 2, 3, 4 [51, 76, 102]
- 6, 8 [152, 203]
- 3, 4 [76, 102]
- 6 [152]

#### (Specify size/type) OUTLET

- \_\_\_\_\_ NH No-Hub
- \_\_\_\_\_ NH No-Hub
- \_\_\_\_\_ NL Neo-Loc
- \_\_\_\_\_ NL Neo-Loc
- \_\_\_\_\_ IP Threaded
- \_\_\_\_\_ IP Threaded
- \_\_\_\_\_ IC Inside Caulk
- \_\_\_\_\_ IC Inside Caulk

#### E BODY HT. DIM.

- 6-15/16 [176]
- 7-7/16 [189]
- 7-3/8 [187]
- 8-1/32 [204]
- 5-15/16, 6-3/16, 6-5/16 [151, 157, 160]
- 6-11/16, 6-3/4 [170, 171]
- 5-13/16 [148]
- 6-1/16 [154]

#### EXTENSION HEIGHT

1 1/2[38] Thru 20[508]

#### PREFIXES

Z D.C.C.I. Body with Poly-Dome\*

ZC D.C.C.I. Body with Cast Iron Dome

#### SUFFIXES

- \_\_\_\_\_ -AR Acid Resistant Epoxy Coated
- \_\_\_\_\_ -C Underdeck Clamp
- \_\_\_\_\_ -DP Top-Set® Deck Plate (Replaces both the -C and -R)
- \_\_\_\_\_ -DR Top-Set® Drain Riser
- \_\_\_\_\_ -E Static Extension 1 [25] thru 4 [102] (Specify Ht.)
- \_\_\_\_\_ -EA Adjustable Extension Assembly  
2-1/8 [54] thru 3-1/2 [89]
- \_\_\_\_\_ -G Galvanized Cast Iron

- \_\_\_\_\_ -R Roof Sump Receiver
- \_\_\_\_\_ -TC Neo-Loc Test Cap Gasket  
(2, 3, 4 [51, 76, 102] NL Bottom Outlet Only)
- \_\_\_\_\_ -VP Vandal-Proof Secured Top
- \_\_\_\_\_ -84 Stainless Steel Perforated Gravel Guard
- \_\_\_\_\_ -89 2 [51] High Overflow Dam

\* Regularly furnished unless otherwise specified

**⚠ WARNING:** Cancer and Reproductive Harm - [www.P65Warnings.ca.gov](http://www.P65Warnings.ca.gov)

**⚠ ADVERTENCIA:** Cáncer y daño reproductivo - [www.P65Warnings.ca.gov](http://www.P65Warnings.ca.gov)

**⚠ AVERTISSEMENT:** Cancer et effets néfastes sur la reproduction - [www.P65Warnings.ca.gov](http://www.P65Warnings.ca.gov)

Zurn Industries, LLC | Specification Drainage Operation  
1801 Pittsburgh Avenue, Erie, PA 16502, Ph. 855.663.9876

In Canada | Zurn Industries Limited  
7900 Goreway Drive, Unit 10, Brampton, Ontario L6T 5W6, Ph. 877.892.5216

[www.zurn.com](http://www.zurn.com)

Rev.	B
Date:	05/06/2022
C.N. No.	144476
Prod.   Dwg. No.	Z100F-85 FLOFORCE™