



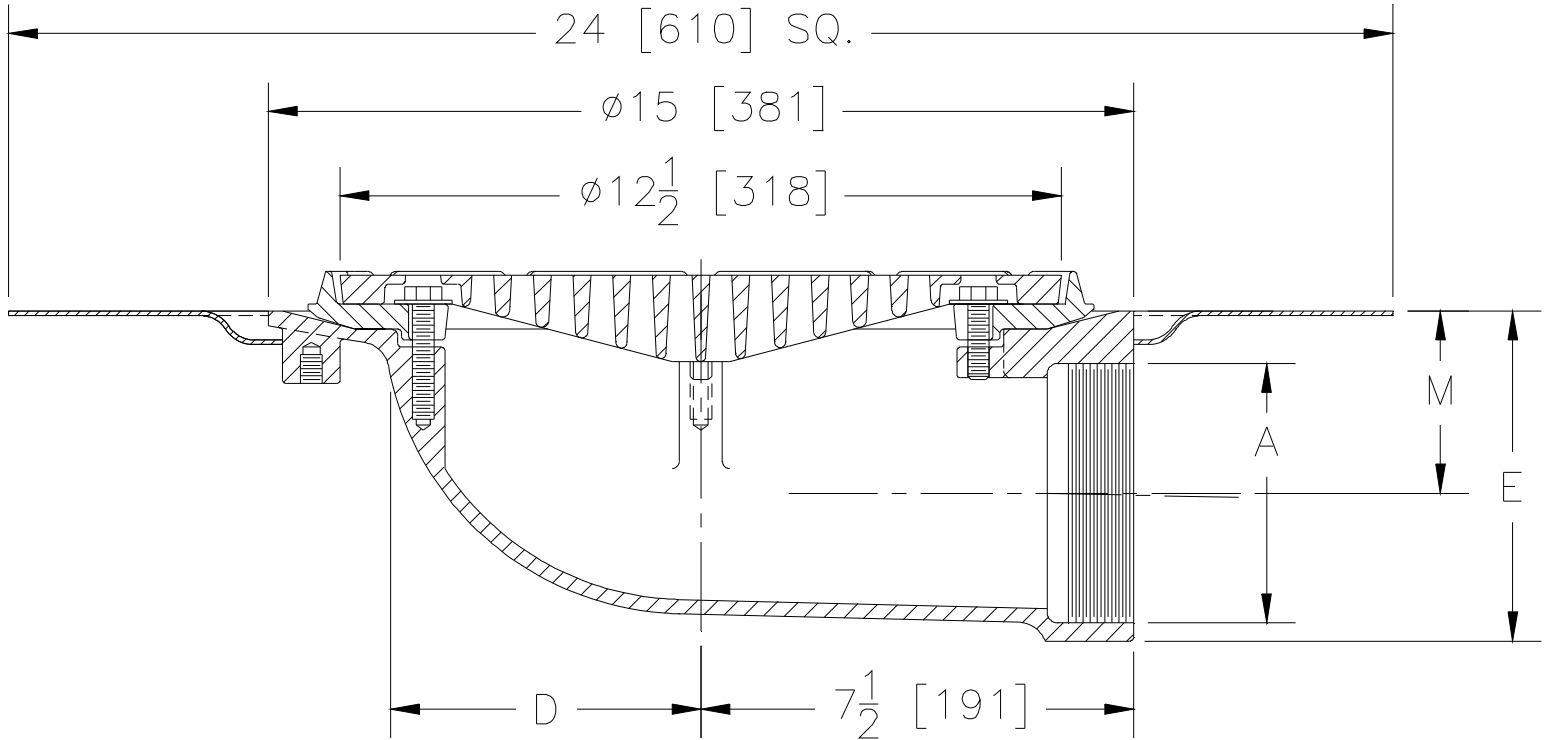
Z100-FG-R-90

15 [381] DIAMETER LATERAL ROOF DRAIN W/ FLUSH GRATE AND ROOF SUMP RECEIVER

SPECIFICATION SHEET

TAG _____

Dimensional Data (inches and [mm]) are Subject to Manufacturing Tolerances and Change Without Notice



Dimensions in inches [mm]			Approx Wt. lbs [kg]	Open Area in ² [cm ²]
A Pipe Size	D	M		
2 [51]	5-1/2 [140]	4-1/4 [108]	32 [15]	32 [206]
3 [76]		3-3/4 [95]	33 [15]	
4 [102]		3-1/4 [83]	34 [15]	
6 [152]	5-7/8 [149]	4-1/4 [108]	37 [17]	

ENGINEERING SPECIFICATION: ZURN Z100-FG-R-90
 15" [381mm] Diameter roof drain. 90° threaded side outlet body with combination membrane flashing clamp/gravel guard, roof sump receiver and flush grate.

OPTIONS (Check/specify appropriate options)

PIPE SIZE

2,3,4 [51,76,102]
 6 [152]

(Specify size/type) **OUTLET**

_____ IP Threaded
 _____ IP Threaded

E BODY HT. DIM.

5-3/4 [146]
 7-7/8 [200]

PREFIXES

_____ Z D.C.C.I. Body with Grate*

SUFFIXES

- | | |
|---|---|
| _____ -AR Acid Resistant Epoxy Coated | _____ -G Galvanized Cast Iron |
| _____ -C Underdeck Clamp | _____ -SC Secondary Clamping Collar |
| _____ -E Static Extension 1 [25] thru 4 [102] (Specify Ht.) | _____ -VP Vandal Proof Secured Top |
| _____ -EA Adjustable Extension Assembly
2-1/8 [54] thru 3-1/2 [89] | _____ -84 Stainless Steel Perforated Gravel Guard |
| | _____ -85 Stainless Steel Perforated Extension |
| | _____ -89 2 [51] High External Water Dam |

* Regularly furnished unless otherwise specified.