



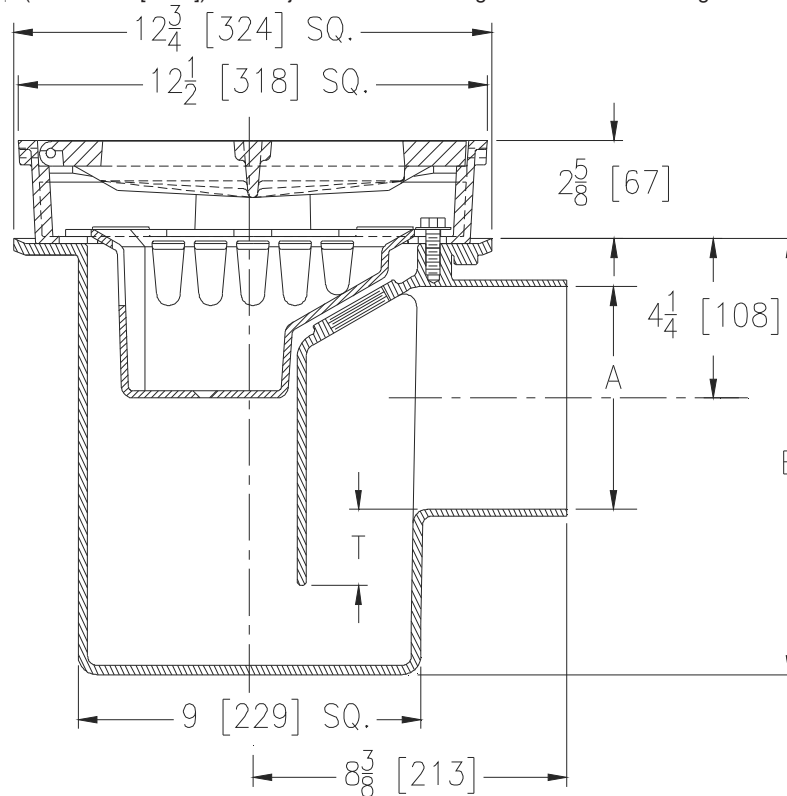
Z645-79

12 X 12 [305 X 305] HEAVY-DUTY DRAIN W/ 6 [152] NO-HUB OUTLET

SPECIFICATION SHEET

TAG _____

Dimensional Data (inches and [mm]) are Subject to Manufacturing Tolerances and Change Without Notice



Dimensions in In [mm]		Approx Wt. lbs [kg]	Grate Open Area in ² [cm ²]
A Pipe Size	T		
6 [152]	2 [51]	118 [54]	44 [284]

ENGINEERING SPECIFICATION: Zurn Z645-79
 12" [305mm] Square top drain, Dura-Coated cast iron body with 6" [152] No-Hub side outlet, internal trap with bronze cleanout plug, seepage pan and combination membrane flashing clamp and frame for cast iron hinged heavy-duty slotted grate with suspended aluminum sediment bucket.

OPTIONS (Check/specify appropriate options)

PIPE SIZE
6 [152]

(Specify size) **OUTLET**
____ NH No Hub

'E' BODY HT. DIM
11-5/8 [295]

PREFIXES

- ___ Z D.C.C.I. Body and Top*
- ___ ZB D.C.C.I Body w/Polished Bronze Top (Add 3/16 [5] to 2-5/8 [67] and 3/4 [20] to 12-1/2 [318] Dim.)
- ___ ZN D.C.C.I Body w/Polished Nickel Bronze Top (Add 3/16 [5] to 2-5/8 [67] and 3/4 [20] to 12-1/2 [318] Dim.)

SUFFIXES

- ___ -AR Acid Resistant Epoxy Coated Cast Iron
- ___ -DG Duresist Grate
- ___ -G Galvanized Cast Iron
- ___ -HL Hinged Locking Grate
- ___ -P Trap Primer Connection (Specify 1/2 [13] or 3/4 [19])
- ___ -TS Top Secured with Slotted Screws
- ___ -VP Vandal-Proof Secured Top
- ___ -Y Cast Iron Sediment Bucket

* Regularly furnished unless otherwise specified.