



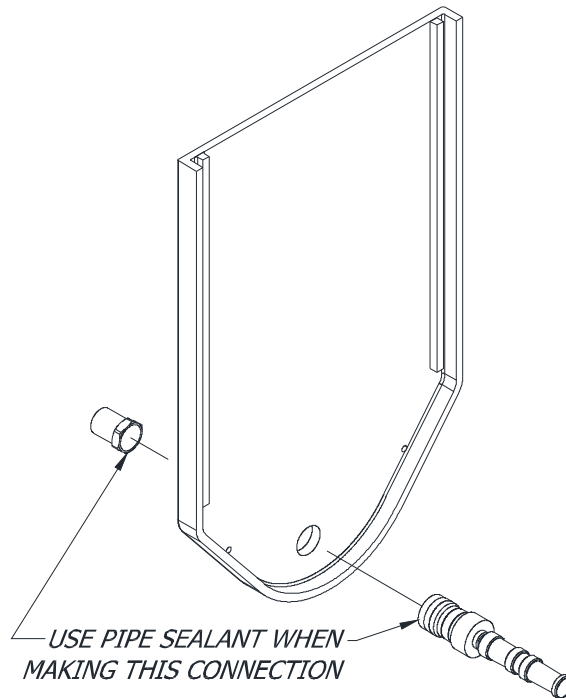
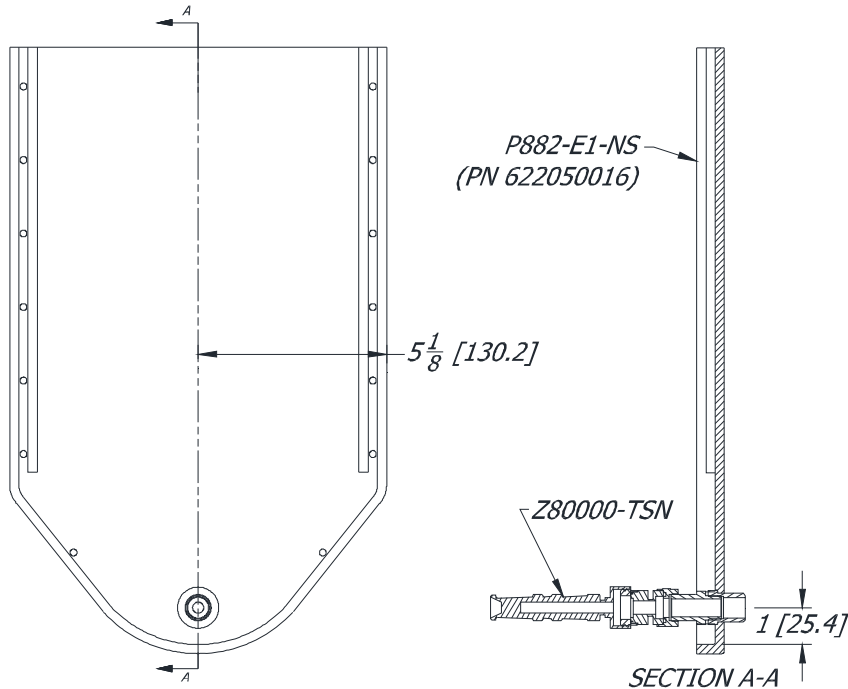
# Z882-E1-80

## Z882 End Cap with Flushing Nozzle

SPECIFICATION SHEET

TAG \_\_\_\_\_

Dimensional Data (inches and [ mm ]) are Subject to Manufacturing Tolerances and Change Without Notice



**ENGINEERING SPECIFICATION:** Zurn P882-E1-80

Zurn P882 End Cap is made of High Density Polyethylene. It can be trimmed to fit from a 8201 to a 8212 channel. Comes complete with attachment hardware to connect to channels. Complete with chrome plated bronze spray nozzle and water supply assembly for attachment.

\* Regularly furnished unless otherwise specified.