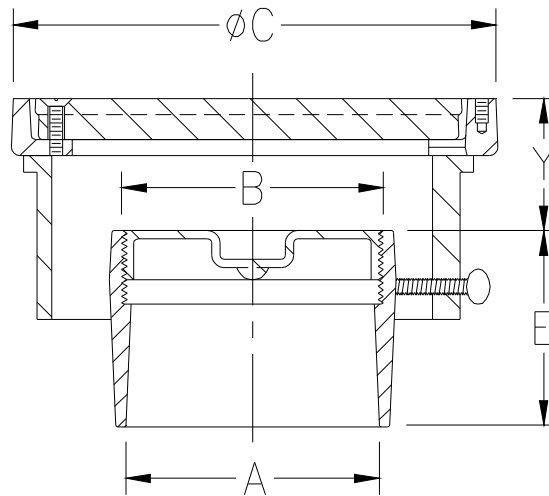




# Z1406-82

## LOW PROFILE, HEAVY-DUTY ADJUSTABLE CLEANOUT

Dimensional Data (inches and [ mm ]) are Subject to Manufacturing Tolerances and Change Without Notice



Dimensions In Inches [mm]				Approx. Wt. Lbs. [kg]	'Y' In. [mm]	
A PIPE SIZE	B N.P.T.	C	E		Min.	Max.
2 [51]	1-1/2	5-1/8 [130]	2-1/2 [64]	4 [2]	7/8 [22]	2 [51]
3 [76]	2-1/2	6-1/8 [156]	2-3/4 [70]	7 [3]		
4 [102]	3-1/2	7-1/4 [184]	3 [76]	9 [4]		
5 [127]	4-1/2	8-1/4 [210]	3 [76]	14 [6]		
6 [152]	5-1/2	9-1/4 [235]	3 [76]	16 [8]		

### ENGINEERING SPECIFICATION:

ZURN Z1406-82

Adjustable floor cleanout with low-profile cleanout ferrule. Dura-Coated cast iron body with gas and watertight ABS plug and cast iron housing with round, scoriated, secured cast iron heavy-duty cover adjustable to finished floor.

**OPTIONS** (Check/specify appropriate options)

### PIPE SIZE

2, 3, 4, 5, 6 [51, 76, 102, 127, 152]

### (Specify size) OUTLET

\_\_\_\_ -NH No-Hub

### PREFIXES

- \_\_\_\_ Z Dura-Coated Cast Iron\*
- \_\_\_\_ ZB D.C.C.I. Body with Polished Bronze Light-Duty Top (Deduct 1/2 [13] from 'Y' Dim.)
- \_\_\_\_ ZN D.C.C.I. Body with Polished Nickel Bronze Light-Duty Top (Deduct 1/2 [13] from 'Y' Dim.)
- \_\_\_\_ ZS D.C.C.I. Body with Polished Stainless Steel Heavy-Duty Top (Add 3/16 [5] to 'Y' Dim.)

### SUFFIXES

- \_\_\_\_ -AR Acid Resisting Epoxy Coated Finish
- \_\_\_\_ -BP Bronze Plug
- \_\_\_\_ -CF Carpet Flange (ZB and ZN only)
- \_\_\_\_ -CM Carpet Marker
- \_\_\_\_ -DC Duresist Cover
- \_\_\_\_ -DX Round ZB or ZN Top with Dex-o-Tex Flange (2, 3, 4 [51, 76, 102] Sizes Only)
- \_\_\_\_ -G Galvanized Cast Iron
- \_\_\_\_ -HD Heavy-Duty Veneer Top (Add 1/8 [3] to 'Y' Dim. for ZB and ZN only)
- \_\_\_\_ -SG Solid Gasketed Cover
- \_\_\_\_ -SM Special Marking Stamped on Top
- \_\_\_\_ -T Square Top
- \_\_\_\_ -TX Square Top Recessed for 1/8 [3] Tile (ZB and ZN only)
- \_\_\_\_ -VP Vandal-Proof Screws
- \_\_\_\_ -X Round Top Recessed for 1/8 [3] Tile (ZB and ZN only)

\* Regularly furnished unless otherwise specified.