



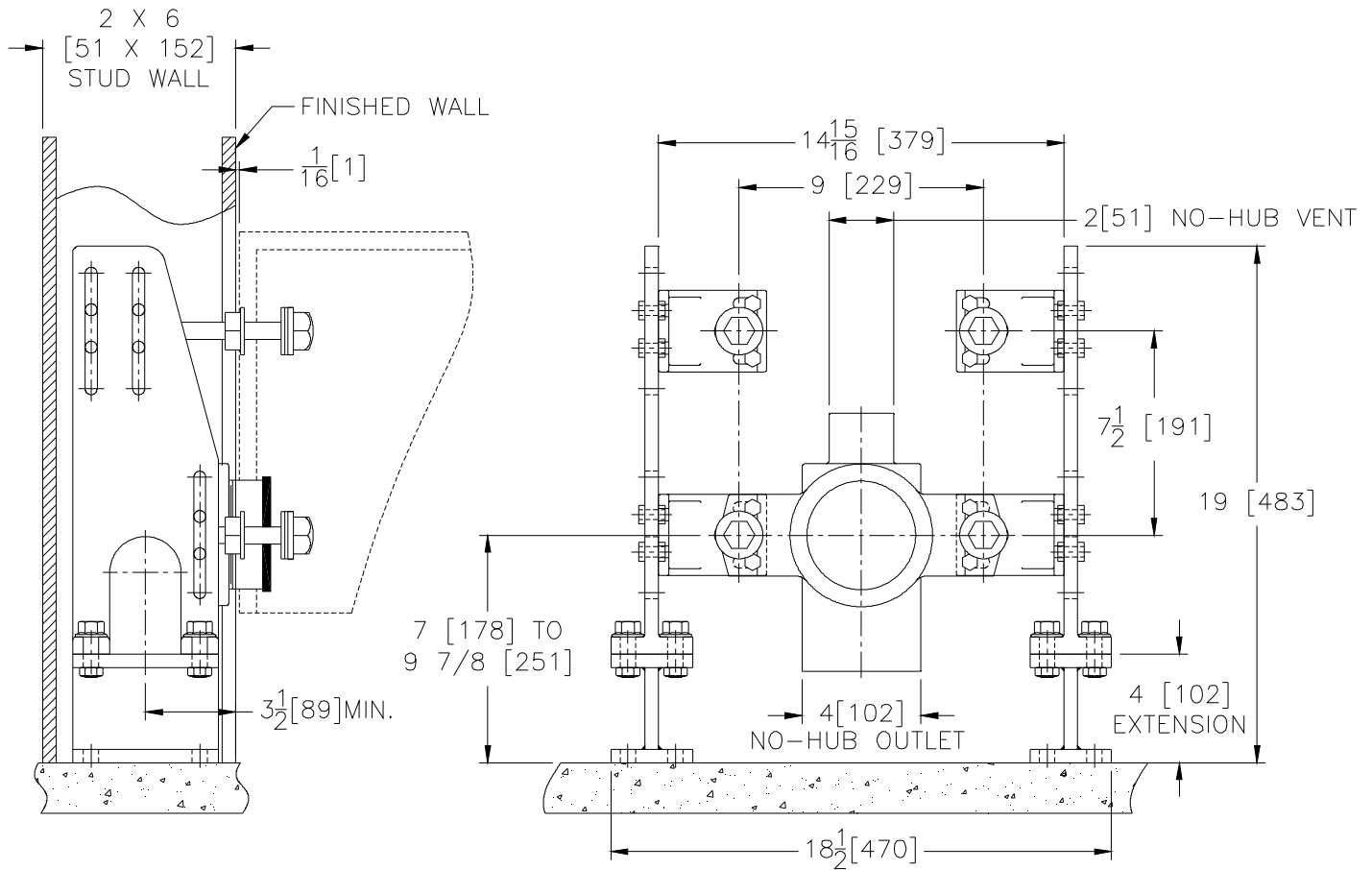
Z1280-N42-X4-Y

4 [102] NO-HUB WATER CLOSET SUPPORT SYSTEM W/ 4 [102] CARRIER FOOT EXTENSION & FOOT SUPPORT SYSTEM

SPECIFICATION SHEET

TAG _____

Dimensional Data (inches and [mm]) are Subject to Manufacturing Tolerances and Change Without Notice



Product Number	Approx. Wt. Lbs. [kg]
Z1280-N42-X4-Y	42 [19]

ENGINEERING SPECIFICATION: ZURN Z1280-N42-X4-Y

Water closet support system. Complete with Dura-Coated cast iron 4" [102mm] no-hub fitting with 2" [51mm] vent, 4" [102mm] high carrier foot extension, support brackets, foot support system, corrosion resistant ABS coupling, fixture bolts and trim, and bonded "Neo-Seal" gasket.

OPTIONS (Check/specify appropriate options)

PREFIXES

___ Z Dura-Coated Fitting and Bracket System*

* Regularly furnished unless otherwise specified.