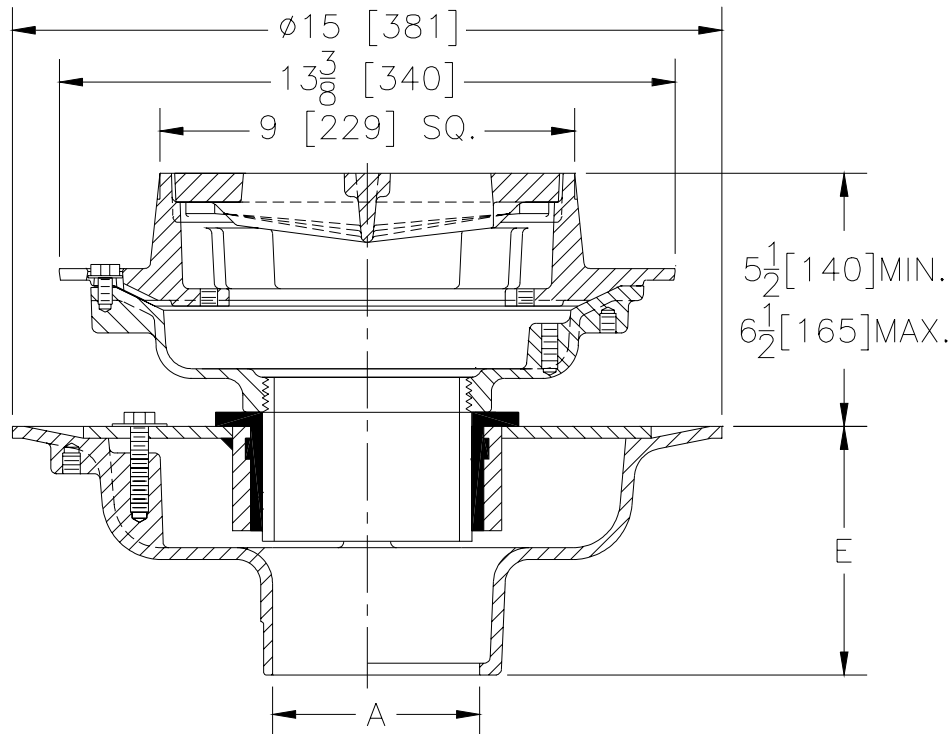




Z-624-79
ISOLATION DECK DRAIN

TAG _____

Dimensional Data (inches and [mm]) are Subject to Manufacturing Tolerances and Change Without Notice



A- Pipe Size In.	Approx. Wt. Lbs. [kg]	Grate Open Area Sq. In. [cm ²]
2-3-4 [50-75-100]	45 [20]	14 [90]
5-6 [125-150]		

ENGINEERING SPECIFICATION: ZURN Z-624-79 Floating slab drain, Dura-Coated cast iron upper and lower bodies. Lower body with clamp collar, neoprene flex gasket and isolation nipple screwed into upper body. Upper body Z-609 drain with seepage pan, heavy duty cast iron anti-tilt slotted grate and combination membrane flashing clamp and frame.

OPTIONS (Check/specify appropriate options)

PIPE SIZE

(Specify size/type) **OUTLET**

'E' BODY HT. DIM.

2 thru 6 [50 thru 150]	_____ IC	Inside Caulk	5 1/4 [133]
2 thru 4, 6 [50 thru 100, 150]	_____ IG	Inside Caulk w/Sealtrol Gskt.	5 1/4 [133]
2 thru 6 [50 thru 150]	_____ IP	Threaded	3 3/4 [95]
2 thru 6 [50 thru 150]	_____ NH	No-Hub	5 1/4 [133]
2 thru 4 [50 thru 100]	_____ NL	Neo-Loc	4 5/8 [117]

PREFIXES

- _____ Z- D.C.C.I. Body and Grate*
- _____ ZB- D.C.C.I. Body w/Polished Bronze Top (Add 3/16 [5] to 5 1/2 [140] - 6 1/2 [165] Dim.)
- _____ ZN- D.C.C.I. Body w/Polished Nickel Bronze Top (Add 3/16 [5] to 5 1/2 [140] - 6 1/2 [165] Dim.)

SUFFIXES

- _____ -AR Acid Resistant Epoxy Coated Finish
- _____ -C Underdeck Clamp
- _____ -DG Duresist Grate
- _____ -G Galvanized Cast Iron
- _____ -GG Galvanized Grate
- _____ -H Hinged Grate
- _____ -HL Hinged Locking Grate
- _____ -P Trap Primer Connection
- _____ -R Sump Receiver
- _____ -SD Longer Standpipe (Specify Height Required)
- _____ -Y Sediment Bucket

*REGULARLY FURNISHED UNLESS OTHERWISE SPECIFIED

REV. _____ DATE: 6/12/98 C.N. NO. 80682

DWG. NO. P-14634 PRODUCT NO. Z-624-79