



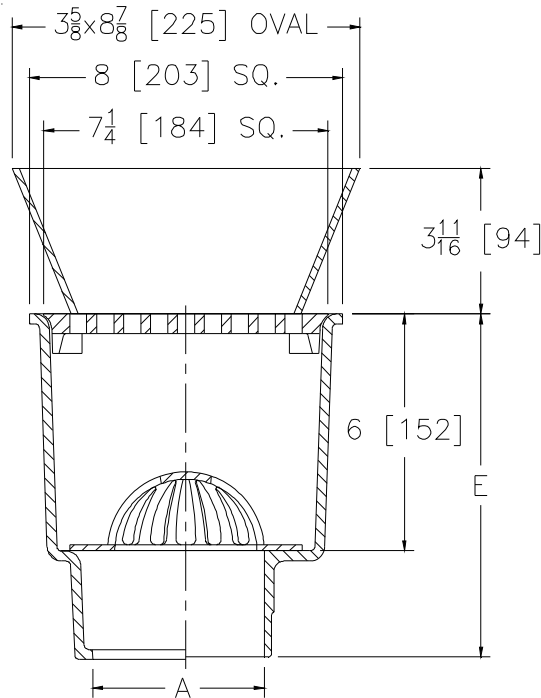
Z1910-8

8 X 8 [203 X 203] A.R.E. SANI-FLOR RECEPTOR 6 [152]
 SUMP DEPTH W/ GRATE & 8-7/8 X 3-5/8 X 3-3/4 [225 X
 92 X 95] HIGH OVAL FUNNEL

SPECIFICATION SHEET

TAG _____

Dimensional Data (inches and [mm]) are Subject to Manufacturing Tolerances and Change Without Notice



A Pipe Size In. [mm]	Approx Wt. Lbs. [kg]	Grate Open Area Sq. In. [cm ²]
2,3,4 [51,76,102]	25 [11]	19 [123]

ENGINEERING SPECIFICATION: ZURNZ1910-8

Sani-Flor Receptor 8" x 8" x 6" [203mm x 203mm x 152mm] deep cast iron body and square, medium-duty grate with 7/16" [11mm] slotted openings and 8-7/8" x 3-5/8" x 3-3/4" [225mm x 92mm x 95mm] high funnel, with white acid resisting porcelain enamel interior and top, and black ground enamel exterior coating, complete with white ABS anti-splash interior bottom dome strainer.

OPTIONS (Check/specify appropriate options)

PIPE SIZE

- 3,4 [76,102]
- 2,3,4 [51,76,102]
- 2,3,4 [51,76,102]

(Specify size/type) OUTLET

- ___ IC Inside Caulk
- ___ NH No-Hub
- ___ NL Neo-Loc

'E' BODY HT. DIMENSION

Z	ZN
8-3/4 [222]	9-1/4 [235]
8-5/8 [219]	9-1/8 [232]
8 [203]	8-1/2 [216]

PREFIXES

- ___ Z Cast Iron Body with White A.R.E. Interior*
- ___ ZN Cast Iron Body with White A.R.E. Interior, 8-9/16 [217] Square N.B. Frame and Full Grate with 5/16 [8] Square Openings (Add 1/2 [13] to 8 [203] and 'E' Dim.)

SUFFIXES

- ___ -DX Dex-O-Tex Flange (ZN Only)
- ___ -K Anchor Flange
- ___ -KC Anchor Flange with Seepage Holes and Clamp Collar
- ___ -LD Less Bottom Dome Strainer
- ___ -P 1/2 [13] Trap Primer Connection (See Z1023)
- ___ -TC Neo-Loc Test Cap Gasket (2,3,4 [51,76,102] NL Bottom Outlet Only)
- ___ -11 Vandal-Proof Secured Grate (ZN Only)
- ___ -23 Aluminum Bucket
- ___ -25 White A.R.C. Bucket
- ___ -31 Stainless Steel Mesh Liner for Bucket
- ___ -32 Aluminum Dome Strainer
- ___ -33 White A.R.C. Anti-Splash Bottom Dome Strainer

* Regularly furnished unless otherwise specified.