



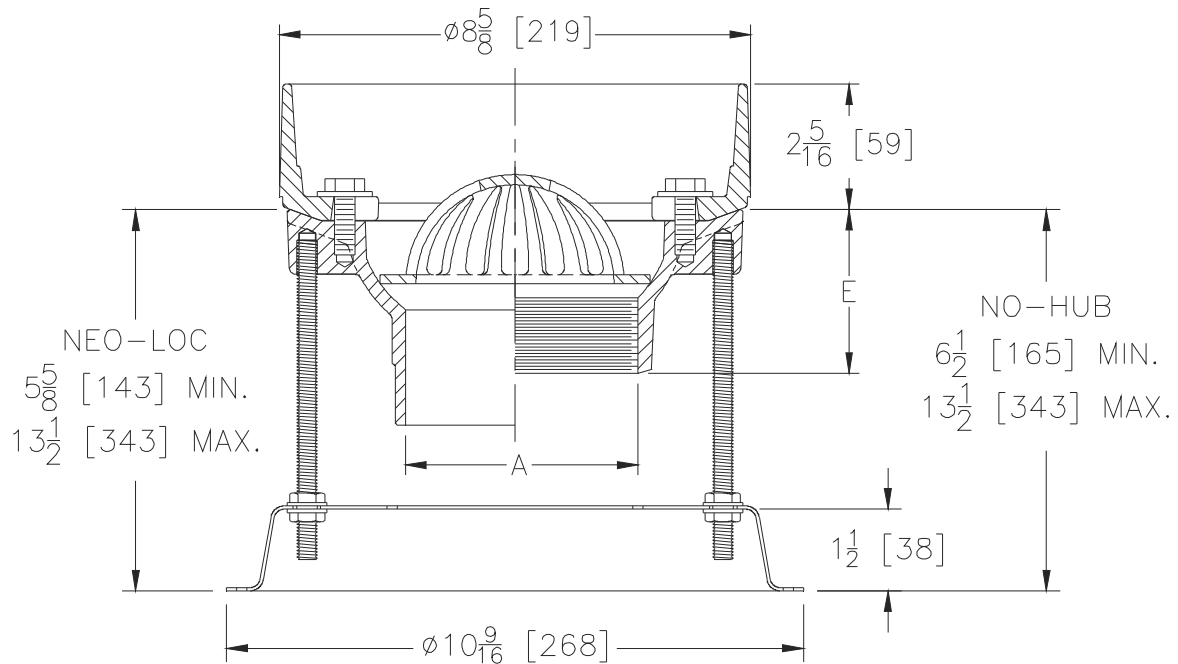
Z127-78

8-1/2 [216] DIAMETER DECK RECEPTOR DRAIN WITH STABILIZER ASSEMBLY

SPECIFICATION SHEET

TAG _____

Dimensional Data (inches and [mm]) are Subject to Manufacturing Tolerances and Change Without Notice



A- Pipe Size In.	Approx. Wt. Lbs. [kg]
2,3,4 [51,76,102]	19 [9]

ENGINEERING SPECIFICATION: ZURN Z127-78

8-1/2" [216mm] Diameter deck receptor drain, Dura-Coated cast iron body with combination membrane flashing clamp/deck receptor frame, internal dome strainer, and stabilizer assembly.

OPTIONS (Check/specify appropriate options)

PIPE SIZE

(Specify size/type) **OUTLET**

'E' BODY HT. DIM.

2,3,4 [51,76,102]
2,3,4 [51,76,102]

___ NH No-Hub
___ NL Neo-Loc

3-31/32 [101]
3-27/32 [98]

PREFIXES

___ Z D.C.C.I. Body with Collar*

SUFFIXES

___ -AR Acid Resistant Epoxy Coated Finish
 ___ -E 2 [51] High Static Extension (Specify Ht.)
 ___ -G Galvanized Cast Iron
 ___ -HD High Dome
 ___ -R Roof Sump Receiver
 ___ -TC Neo-Loc Test Cap Gasket (2,3,4 [51,76,102] NL Bottom Outlet Only)

* Regularly furnished unless otherwise specified.