



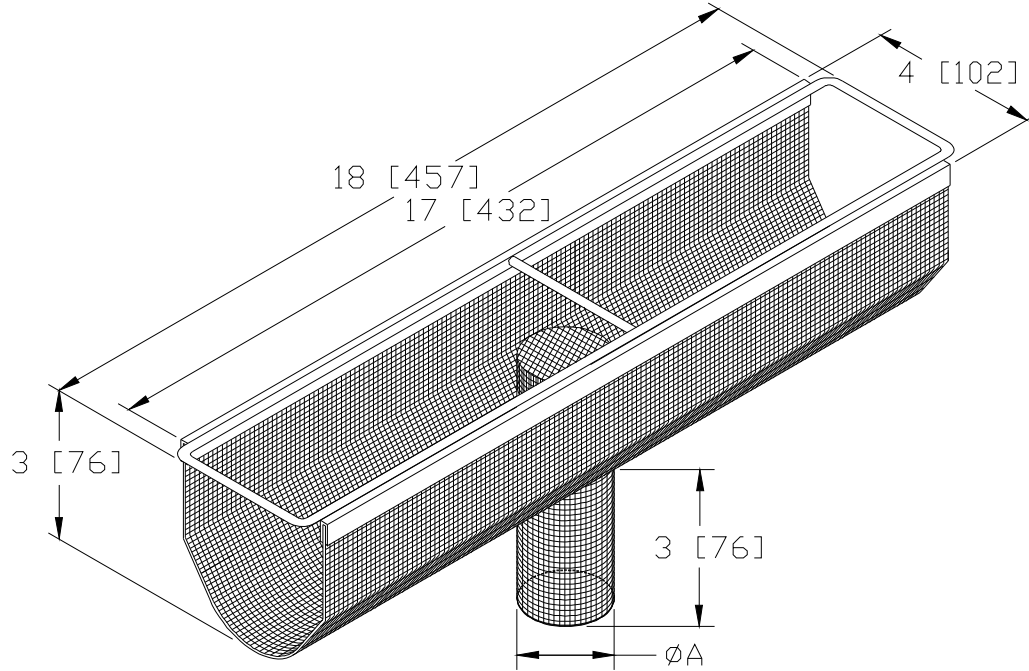
# Z886-86

## CHANNEL SEDIMENT BUCKET

SPECIFICATION SHEET

TAG \_\_\_\_\_

Dimensional Data (inches and [ mm ]) are Subject to Manufacturing Tolerances and Change Without Notice



Specify Size	Outlet Size	ØA
	2 [51]	1-7/8 [48]
	3 [76]	2-7/8 [73]
	4 [102]	3-7/8 [98]
	6 [152]	5-7/8 [149]

Specify	Outlet Location
	Centered
	Offset

**ENGINEERING SPECIFICATION:** Zurn Z886-86

Channel Sediment Bucket. Fabricated to fit inside of the Z886 'Perma-Trench' channel. Sediment buckets feature stainless mesh screen body, 1/4 [6] dia. stainless steel handle and frame, and #22 gage stainless steel edges. Water and sediment flow into the bucket through its open ends and into the bottom of strainer where the sediment can be collected. The bottom strainer can be centered along bucket or offset toward one end. Complete with welded on handle for easy installation and maintenance.

REV.	DATE: 09/19/12	C.N. NO. 124745	
DWG. NO. 310494	PRODUCT NO. Z886-86		