



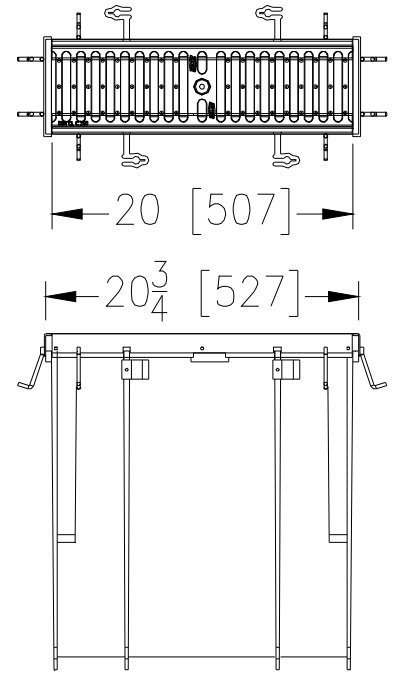
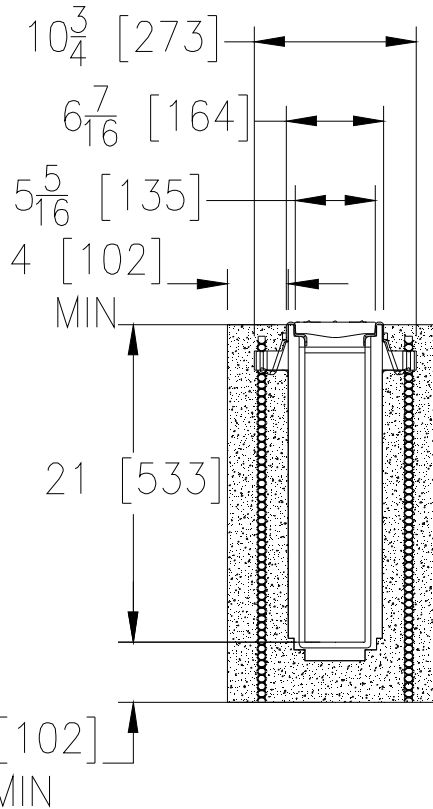
# Z887-6-HDG

SPECIFICATION SHEET

6-7/16 [164] WIDE REVEAL BY 20 [508] LONG CATCH BASIN WITH HEAVY DUTY GALVANIZED FRAME ASSEMBLY

TAG \_\_\_\_\_

Dimensional Data (inches and [ mm ]) are Subject to Manufacturing Tolerances and Change Without Notice



NOTE: + Actual Channel length is 20 3/4 [527].

SPECIFYING ENGINEER IS RESPONSIBLE FOR CONCRETE ENCASMENT AND REINFORCING BASED UPON APPLICATION AND LOCAL CODES

**ENGINEERING SPECIFICATION:** Zurn Z887-6-HDG Catch Basin shall be 6-7/16 [164] wide reveal x 20 [508] long and 20 [508] deep. The body shall be made of 0% water absorbent High Density Polyethylene (HDPE). Shall mechanically lock into the concrete surround a minimum of every 10 [254]. Catch basin shall weigh less than 17 bs.[7.7kg] per linear foot. Catch basin shall have rebar clips standard to secure basin in its final location. Shall be provided with standard GDC grates that lock down with lockdown bars to the basin. Zurn 6 [152] wide reveal Galvanized Ductile Iron Slotted Grate conforming to ASTM specification A536-84, Grade 80-55-06. Ductile Iron grate is rated class C per the DIN EN1433 top load classifications. Supplied in 20 [508] nominal lengths with 1/2 [13] wide slots, and 3/4 [19] bearing depth. Grate has an open area of 28.1 sq. in per ft. [59,463 sq. mm per meter].. The .105 [2.66] thick Heavy-Duty Carbon Steel Galvanized Frame Assembly conforms to ASTM specification A36 and Galvanizing conforms to ASTM specification A123 with 4 - 4 [102] long concrete anchors per basin. All welds must be performed by a certified welder per ASTM standard AWS D1.1. Frames Shall be produced in the U.S.A.

**PREFIX OPTIONS (Check/specify appropriate options)**

\_\_\_ Z 6-inch by 20-inch High Density Polyethylene (HDPE)\*

**SUFFIX OPTIONS (Check/specify appropriate options)**

**Outlet Adapters Add/Each**

- \_\_\_ -E3 3 [76] No-Hub End Outlet
- \_\_\_ -E4 4 [102] No-Hub End Outlet
- \_\_\_ -E6 6 [152] No-Hub End Outlet
- \_\_\_ -U3 3 [76] No-Hub Bottom Outlet
- \_\_\_ -U4 4 [102] No-Hub Bottom Outlet
- \_\_\_ -U6 6 [152] No-Hub Bottom Outlet

**Grate Options (Load Classifications are per DIN EN1433)**

- \_\_\_ -BDC Black Acid Resistant Epoxy Coated Ductile Grate - Class C
- \_\_\_ -BDE Black Acid Resistant Epoxy Coated Ductile Grate - Class E
- \_\_\_ -BG Galvanized Ductile Iron Bar Grate - Class C
- \_\_\_ -DBG Ductile Iron Cast Bar Grate - Class C
- \_\_\_ -DC Ductile Iron Solid Cover - Class C
- \_\_\_ -DGC Ductile Iron Slotted Grate - Class C
- \_\_\_ -DGE Ductile Iron Slotted Grate - Class E
- \_\_\_ -GDC Galvanized Ductile Slotted Grate - Class C \*
- \_\_\_ -GDE Galvanized Ductile Slotted Grate - Class E
- \_\_\_ -GHPD Galvanized Heel-Proof Ductile Grate - Class C
- \_\_\_ -HPD Heel-Proof Ductile Slotted Grate - Class C
- \_\_\_ -RFGC Reinforced Slotted Galvanized Grate - Class C
- \_\_\_ -RPGC Reinforced Perforated Galvanized Grate - Class C
- \_\_\_ -RPGRC Reinforced Perforated Galvanized Reverse Punch Grate - Class C

**MADE in the U.S.A. (Load Classifications are per DIN EN1433)**

- \_\_\_ -BDE-USA Black Acid Resistant Epoxy Coated Ductile Grate - Class E
- \_\_\_ -DGC-USA Ductile Iron Slotted Grate - Class C
- \_\_\_ -DGE-USA Ductile Iron Slotted Grate - Class E
- \_\_\_ -GDC-USA Galvanized Ductile Slotted Grate - Class C
- \_\_\_ -GDE-USA Galvanized Ductile Slotted Grate - Class E
- \_\_\_ -PPC Plastic Perforated Grate - Class C

**Miscellaneous Options**

- \_\_\_ -DB Bottom Dome Strainer
- \_\_\_ -VP Vandal-Proof Lockdown
- \_\_\_ -Y Sediment Bucket

\*REGULARLY FURNISHED UNLESS OTHERWISE SPECIFIED

**Miscellaneous Options**

\_\_\_ -IA Inlet Adapter - Z886

REV. A DATE: 05/11/12 C.N. NO. 124317

PROD/DWG. NO. Z887-6-HDG