



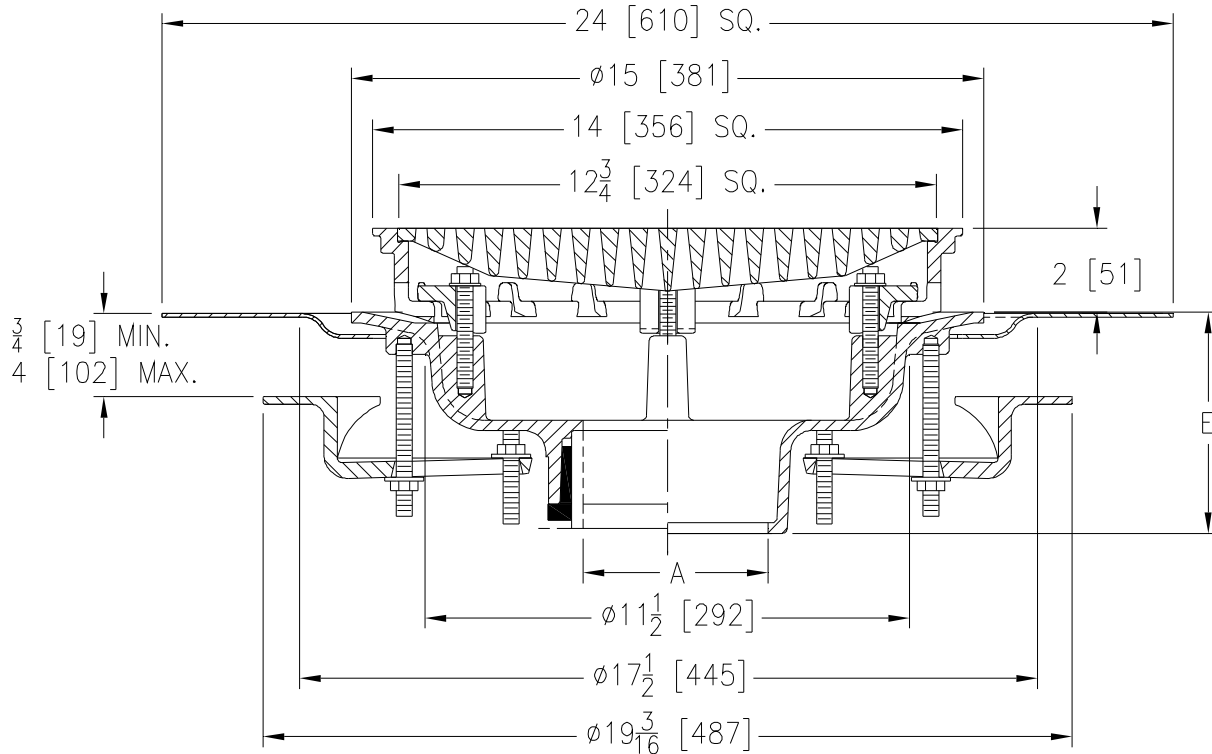
# Z150-C-R

14 [356] SQUARE TOP PROM-DECK DRAIN W/ UNDERDECK CLAMP, ROOF SUMP RECEIVER, HEEL PROOF GRATE, AND ROTATABLE FRAME

SPECIFICATION SHEET

TAG \_\_\_\_\_

Dimensional Data (inches and [ mm ]) are Subject to Manufacturing Tolerances and Change Without Notice



A Pipe Size in [mm]	Approx Wt. lbs [kg]	Grate Open Area in <sup>2</sup> [cm <sup>2</sup> ]
2,3,4 [51,76,102]	56 [25]	44 [284]
6 [152]		
8 [203]	57 [26]	

## ENGINEERING SPECIFICATION: ZURN Z150-C-R

14" [356mm] Square Top Prom-Deck drain, Dura-Coated cast iron body, with rotatable square promenade frame with seepage openings, frame clamps, heavy-duty heel-proof grate, underdeck clamp and roof sump receiver.

**OPTIONS** (Check/specify appropriate options)

### PIPE SIZE

2,3,4,6 [51,76,102,152]  
 2,3,4,6, 8 [51,76,102,152,203]  
 2,3,4,6, 8 [51,76,102,152,203]  
 2,3,4 [51,76,102]

(Specify size/type) **OUTLET**

\_\_\_\_\_ IC Inside Caulk  
 \_\_\_\_\_ IP Threaded  
 \_\_\_\_\_ NH No-Hub  
 \_\_\_\_\_ NL Neo-Loc

**E BODY HT. DIM.**

5-1/4 [133]  
 3-3/4 [95]  
 5-1/4 [133]  
 4-5/8 [117]

### PREFIXES

\_\_\_\_\_ Z D.C.C.I. Body with Top\*  
 \_\_\_\_\_ ZB D.C.C.I. Body with Polished Bronze Top (Add 3/16 [5] to 2 [51] Dim & 3/8 [10] to 14 [356] Dim.)  
 \_\_\_\_\_ ZN D.C.C.I. Body with Polished Nickel Bronze Top (Add 3/16 [5] to 2 [51] Dim & 3/8 [10] to 14 [356] Dim.)

### SUFFIXES

\_\_\_\_\_ -AR Acid Resistant Epoxy Coated  
 \_\_\_\_\_ -DG Duresist Grate  
 \_\_\_\_\_ -DT Decorative Polished Top (ZN and ZB Only)  
 \_\_\_\_\_ -E Static Extension 1 [25] thru 4 [102] (Specify Ht.)  
 \_\_\_\_\_ -EA Adjustable Extension Assembly  
 2-1/8 [54] thru 3-1/2 [89]  
 \_\_\_\_\_ -G Galvanized Cast Iron  
 \_\_\_\_\_ -S Secondary Strainer  
 \_\_\_\_\_ -SC Secondary Clamping Collar  
 \_\_\_\_\_ -TC Neo-Loc Test Cap Gasket  
 (2,3,4 [51,76,102] NL Bottom Outlet Only)  
 \_\_\_\_\_ -TS Top Secured with Slotted Screws  
 \_\_\_\_\_ -VP Vandal Proof Secured Top  
 \_\_\_\_\_ -XJ Vertical Expansion Joint (See Z190)  
 \_\_\_\_\_ -Y Sediment Bucket  
 \_\_\_\_\_ -85 Stainless Steel Perforated Extension  
 \_\_\_\_\_ -90 90° Threaded Side Outlet Body

\* Regularly furnished unless otherwise specified.

Zurn Industries, LLC | Specification Drainage Operation  
 1801 Pittsburgh Avenue, Erie, PA U.S.A. 16502 · Ph. 855-663-9876, Fax 814-454-7929

In Canada | Zurn Industries Limited  
 3544 Nashua Drive, Mississauga, Ontario L4V 1L2 · Ph. 905-405-8272, Fax 905-405-1292

[www.zurn.com](http://www.zurn.com)

Rev. C  
 Date: 10/3/2017  
 C.N. No. 138354  
 Prod. | Dwg. No. Z150-C-R