



Z1203-ND-B

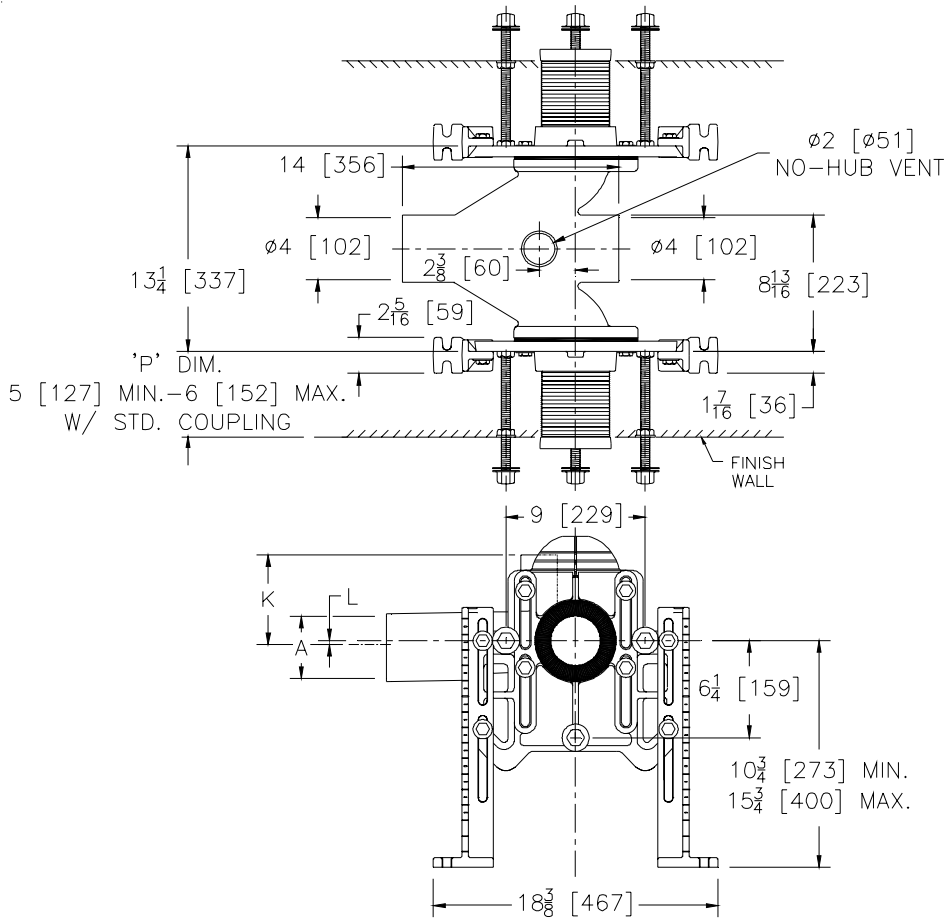
ADJUSTABLE HORIZONTAL BACK TO BACK BLOWOUT- No-Hub

SPECIFICATION SHEET

TAG _____

Dimensional Data (inches and [mm]) are Subject to Manufacturing Tolerances and Change Without Notice

Product No.	Approx. Wt. Lbs. [kg.]
Z1203-ND-B	120 [54]



Note:

1. Min. 'P' Dim. Obtainable=2 [51]
2. Feet bolted to floor using min. 1/2 [13] dia. bolts and back slots on carrier feet.

A IPS	K	L DIM.	
		MIN.	MAX.
4	6-1/8 [156]	2 [51]	4-1/4 [108]
5	6-5/8 [168]	1-1/2 [38]	3-3/4 [95]

ENGINEERING SPECIFICATION: ZURN Z1203-ND-B

Adjustable, horizontal blowout water closet "Rigid System" with 4 [102] No-Hub connections. Complete with Dura-Coated cast iron fitting, with 2 [51] vent, adjustable gasketed face plates, universal floor mounted foot supports, corrosion resistant adjustable ABS couplings with integral test cap, fixture bolts, trim, and stud protectors. Rear anchor tie down and bonded "Neo-Seal" gaskets.

PRODUCT/DEFINITION

_____ **Z1203-ND-B** 4 [102] No-Hub Back to Back Inlet (Double)

PREFIXES

_____ **Z** D.C.C.I. System with Zurn "ZZ" Adjustable Coupling*
 _____ **ZQ** D.C.C.I. System with Non-Adjustable Coupling

SUFFIXES

<p>_____ -A Auxiliary Support Assembly (For P-Dim. greater than 18 [457])</p> <p>_____ -CC Cast Iron Coupling 6 [152] Long</p> <p>_____ -CL Coupling Length Greater than 12 [305] (Specify length if greater than 6 [152])</p> <p>_____ -CV Closed Vent (Use only when local codes allow)</p> <p>_____ -F Floor Mounted Back Outlet, Fixture Support</p> <p>_____ -G Galvanized Cast Iron</p> <p>_____ -M Auxiliary Foot Support (For P-Dim. 10-18 [254-457])</p> <p>_____ -T Threaded Stack Connection (Available on Restricted Basis Only)</p>	<p>_____ -VP Vandal Proof Trim</p> <p>_____ -W Adapter for Womens Urinal</p> <p>_____ -29 Mechanical Test Cap Assembly (Previously Z1210-29)</p> <p>_____ -45 Finishing Frame for Siphon Jet System (For Blowout System specify -45-B) (Previously Z1210-45)</p> <p>_____ -50 Flush Valve Supply Support for W.C. (Previously Z1210-50)</p> <p>_____ -61 "ZZ" Coupling Wrench</p>
--	---

REV. A	DATE: 2/25/11	C.N. NO. 120937
DWG. NO. 59371	PRODUCT NO. Z1203-ND-B	