



# Z1800-12B-79

11-9/16" [294] DIAMETER ROUND INDUSTRIAL FLOOR DRAIN W/ SOLID RIM

SPECIFICATION SHEET

TAG \_\_\_\_\_

Dimensional Data (inches and [ mm ]) are Subject to Manufacturing Tolerances and Change Without Notice

**Engineering Specification:** ZURN Z1800-12B-79  
11-9/16" [294mm] Diameter x 6" [152mm] deep, 18 gage, all type 304 (CF8) stainless steel round industrial floor drain with loose set anti-tilt extra-heavy-duty perimeter drainage cover, reinforced top frame with solid rim for partially recessed installation, perforated removable sediment bucket with lift handle, pre-sloped bottom sump, and pre-pour stabilizing anchor tabs.

| Approx. Wt. Lbs. [kg] | Grate Open Area Sq. In. [cm <sup>2</sup> ] |
|-----------------------|--|
| 20 [9]                | 9.7 [63]                                   |

**Options** (Check/specify appropriate options)

**Pipe Size (ØA)** (Specify size/type) **Outlet**  
 3,4,6 [76,102,152]    \_\_\_ BW Butt-Weld (Sch. 10)  
 3,4,6 [76,102,152]    \_\_\_ NH No-Hub

**Prefixes**

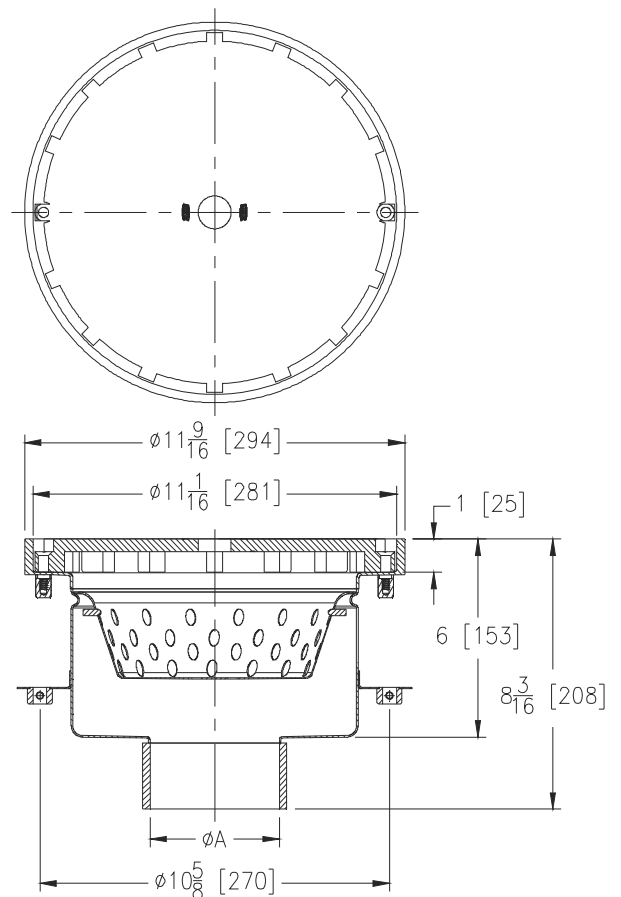
\_\_\_ Z    Type 304 (CF8) Stainless Steel\*  
 \_\_\_ ZM    Type 316 (CF8M) Stainless Steel

**Suffixes**

\_\_\_ -B    Bell Trap/Solid Sediment Bucket  
 \_\_\_ -KC    Anchor Flange w/Seepage Holes and Clamp Collar  
 \_\_\_ -P    ø1/2 [13] Trap Primer Connection  
 \_\_\_ -SA    Stabilizer Assembly (Z1036)  
           3 [76] and 4 [102] outlets only  
 \_\_\_ -TS    Top Secured Grate  
 \_\_\_ -VH    Vacuum Handle (-GCX Cover Only)  
 \_\_\_ -1    Less Grate  
 \_\_\_ -3PT    3 [76] Stainless Steel P-Trap  
 \_\_\_ -4PT    4 [102] Stainless Steel P-Trap  
 \_\_\_ -6PT    6 [152] Stainless Steel P-Trap

**Grate Options**

\_\_\_ -GCX    Extra-Heavy-Duty Gas Tight Solid Cover  
 \_\_\_ -PCS    Special-Duty Perimeter Drainage Cover (9.7 Sq. In. [63 cm<sup>2</sup>] Open Area)  
 \_\_\_ -PGM    Medium-Duty Perforated Grate (27.3 Sq. In. [176 cm<sup>2</sup>] Open Area)  
 \_\_\_ -SGH    Heavy-Duty Slotted Grate (28.9 Sq. In. [186 cm<sup>2</sup>] Open Area)  
 \_\_\_ -SGM    Medium-Duty Slotted Grate (28.9 Sq. In. [186 cm<sup>2</sup>] Open Area)



\* Regularly furnished unless otherwise specified.