



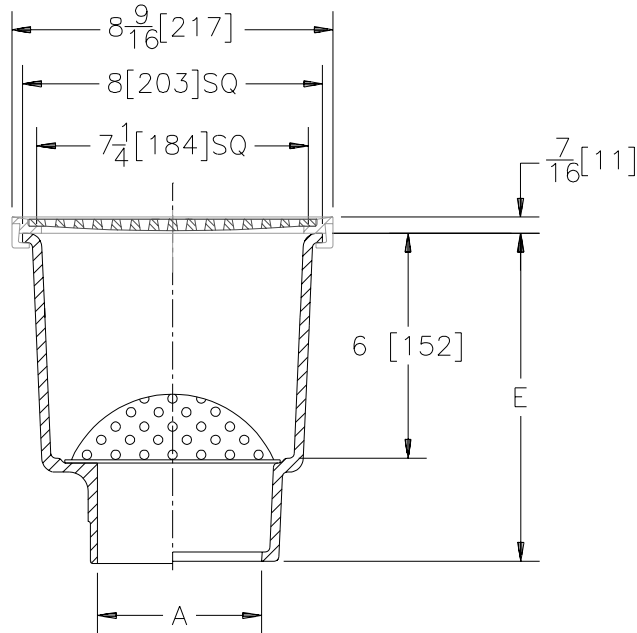
ZS-1910-76

8 X 8 A.R.E. SANI-FLOR RECEPTOR 6" SUMP DEPTH

SPECIFICATION SHEET

TAG _____

Dimensional Data (inches and [mm]) are Subject to Manufacturing Tolerances and Change Without Notice



A- Pipe Size In.	Approx Wt. Lbs. [kg]	Grate Open Area Sq. In. [cm ²]
2-3-4 [50-75-100]	34 [15]	18 [116]

ENGINEERING SPECIFICATION: ZURN ZS-1910-76 Sani-Flor Receptor 8 x 8 x 6 [203 x 203 x 152] deep cast iron body, square stainless steel frame and full grate, with white acid resisting porcelain enamel interior and top, complete with aluminum anti-splash interior bottom dome strainer.

OPTIONS (Check/specify appropriate options)

PIPE SIZE

(Specify size/type) **OUTLET**

'E' BODY HT. DIMENSION

2, 3, 4 [50, 75, 100]
2, 3, 4 [50, 75, 100]

_____ IC Inside Caulk
_____ NH No-Hub

ZS
9 1/4 [235]
9 1/8 [232]

PREFIXES

_____ ZS- Cast Iron Body with White A.R.E. Interior,
8 1/2 [216] Square Stainless Steel Frame and Full Grate with 1/4 [6] Square Openings*

SUFFIXES

- | | |
|---|---|
| _____ -K Seepage Flange With Seepage Holes | _____ -16 1/2 Solid Loose Set Cover |
| _____ -KC Flange with Seepage Holes and Clamping Collar | _____ -17 3/4 Solid Loose Set Cover |
| _____ -LD (Less) Internal Bottom Dome Strainer | _____ -18 Solid Loose Set Cover With 2 [51] Square Center Opening |
| _____ -P 1/2 [13] Trap Primer Connection (See Z-1023) | _____ -19 Full Hinged Grate |
| _____ -1 (Less) Grate | _____ -23 Aluminum Bucket |
| _____ -2 1/2 Grate | _____ -25 White A.R.E. Bucket |
| _____ -3 3/4 Grate | _____ -31 Stainless Steel Mesh Liner for Bucket |
| _____ -4 Full Grate w/2 [51] Sq. Center Opening | _____ -33 White A.R.E. Anti-Splash Bottom Dome Strainer |
| _____ -5 Grate w/4 [101] dia. x 3 3/4 [95] High Funnel | |
| _____ -6 Grate w/6 dia. x 6 [152 x 152] High Funnel | |
| _____ -7 Grate w/6 3/4 x 3 x 1 [171 x 76 x 25] High Oval Funnel | |
| _____ -8 Grate w/8 7/8 x 3 5/8 x 3 3/4 [225 x 92 x 95] High Oval Funnel | |
| _____ -12 Depressed Aluminum Grate | |
| _____ -15 Solid Loose Set Cover | |

*REGULARLY FURNISHED UNLESS OTHERWISE SPECIFIED

REV. DATE: 01/22/96 C.N. NO. 74035

DWG. NO. P-14282 PRODUCT NO. ZS-1910-76

ZURN INDUSTRIES, INC. ♦ SPECIFICATION DRAINAGE OPERATION ♦ 1801 Pittsburgh Ave. ♦ Erie, PA 16514

Phone: 814/455-0921 ♦ Fax: 814/454-7929 ♦ World Wide Web: www.zurn.com

In Canada: ZURN INDUSTRIES LIMITED ♦ 3544 Nashua Drive ♦ Mississauga, Ontario L4V1L2 ♦ Phone: 905/405-8272 Fax: 905/405-1292